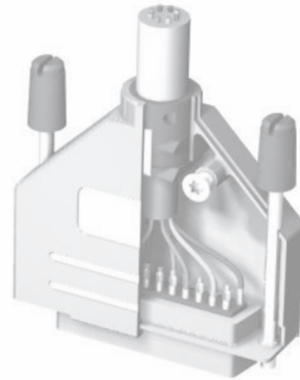
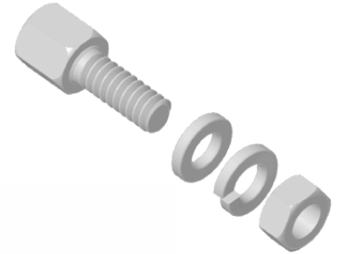


OSSI™ CONNECTORS



Catalogue Edition 03

D-SUB ACCESSORIES



Supply and Service

Ossi Connectors A/S™ is a leading supplier in design and manufacturing of I/O interconnect products for the electronics, datacom, telecom, medical and industrial market sectors. Our vast experience of designing standard and custom design solutions positions us as the provider for your interconnection applications.




Benefits

Through design capability, high quality and short lead times, our products are distributed by efficient network of distributors and we also co-operate with key accounts for special requirements. Ossi Connectors A/S™ is represented in more than 25 countries and our distribution network is constantly growing.



Capability



The fully automatic assembly and packaging machines with our experienced employees assure the quality standards and support our production processes. The manufacturing resources include design, prototypes and manufacturing of standard and custom designed products. The engineering department supports our clients through the entire concept stage from idea to serial production.

Address

Ossi Connectors A/S
Anker Jorgensens Vej 2
DK - 4930 Maribo
Denmark

Contact

Tel	+45 54 78 28 88
E-mail	info@ossi.dk
Web	www.ossi.dk

D-SUB ACCESSORIES

JACKSCREWS	5
FEMALE SCREW LOCK	6
SLIDE LOCK	7 - 8
DCR COLOUR CODING FRAMES	9
DVZK-D1 CABLE STRAIN RELIEF	10
DMZK-D1 CABLE BOOT	11
DTZK-D5 CABLE OUTLET PLUG	12
DTZK-D6 AND D7 SEALING PLUG	13
DMZK-D2 CABLE BOOT	14

D-Sub Accessories / Jackscrews

TECHNICAL SPECIFICATIONS

Material (screw): Zi-plated steel
Ni-plated brass

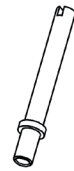
Material (plastic knob / D-JS): Polyamide UL94 V2

Mounting torque: 50 - 130 Ncm
depending on
part number

Thread options: UNC 4-40
M2.5
M2.6
M3.0



D-JS: Jack screw with plastic screw head
D-JSS: Turned solid metal jack screw
D-JSS-NH: Turned solid metal jack screw
with slot screw head



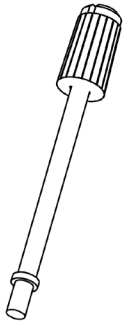
D-JSS-NH



D-JSS



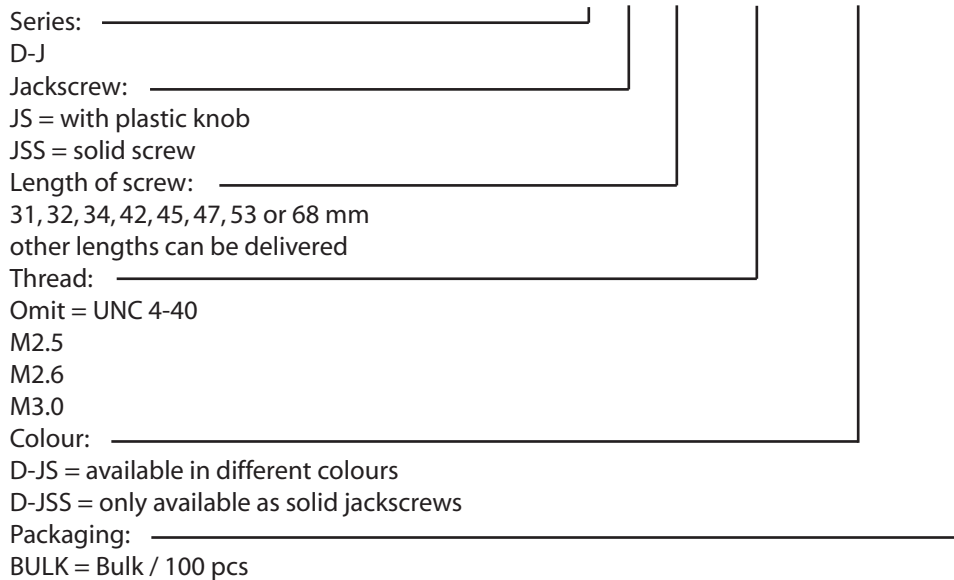
D-JSS



D-JS

PART NUMBERING SYSTEM

D-JS-45 - M3.0 - RED - BULK



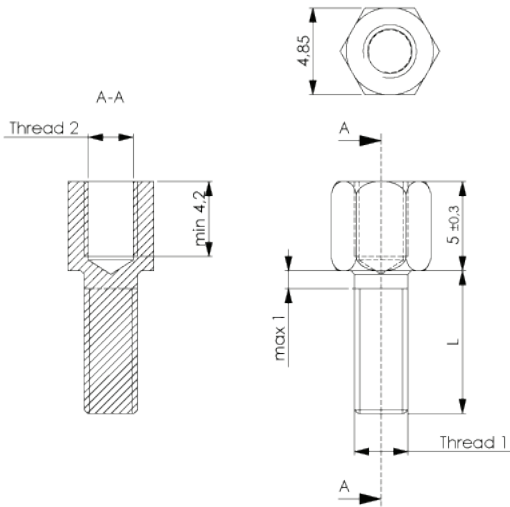
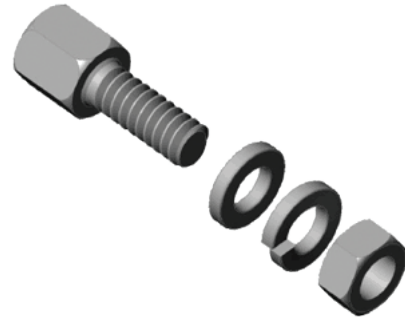
FEATURES

- Designed to be combined with Ossi D-Sub backshells
- D-JS can be delivered in different colours for coding
- D-JS delivered as solid CNC turned Ni-plated brass or Zi-plated steel jackscrews
- UNC 4-40, M2.5, M2.6 and M3.0 as thread options
- For custom designed solutions, please consult factory

D-Sub Accessories / Female Screw Lock

TECHNICAL SPECIFICATIONS

Material: Ni-plated steel
 1 kit comprise: 2 screws
 2 spring washers
 2 UNC 4-40 nuts
 Thread options: UNC 4-40 or M3



Length (L)	Thread 1	Thread 2	Item
8 mm	UNC4-40	UNC 4-40	DJF-8
8 mm	M3	UNC 4-40	DJF-8-3-4
8 mm	M3	M3	DJF-8-3-3
14 mm	UNC4-40	UNC 4-40	DJF-14
14 mm	M3	M3	DJF-14-3-3

PART NUMBERING SYSTEM

DJF - 8 - - BULK

Series: _____
 DJF
 Length: _____
 8 = 8 mm
 14 = 14 mm
 Thread options: _____
 See separate matrix above
 Packaging: _____
 K = Kitpackage
 BULK = Bulk / 100 pcs

FEATURES

- Female screw with UNC 4-40 or M3 inner- and outer thread

D-Sub Accessories / Slidelock

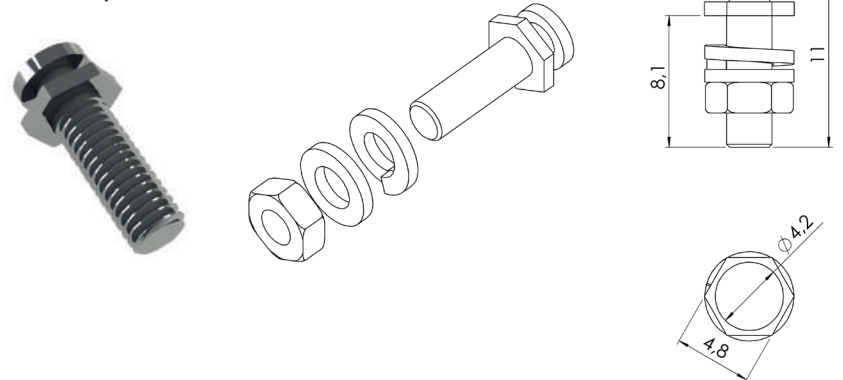
TECHNICAL SPECIFICATIONS SLIDELOCK

Material: Stainless steel

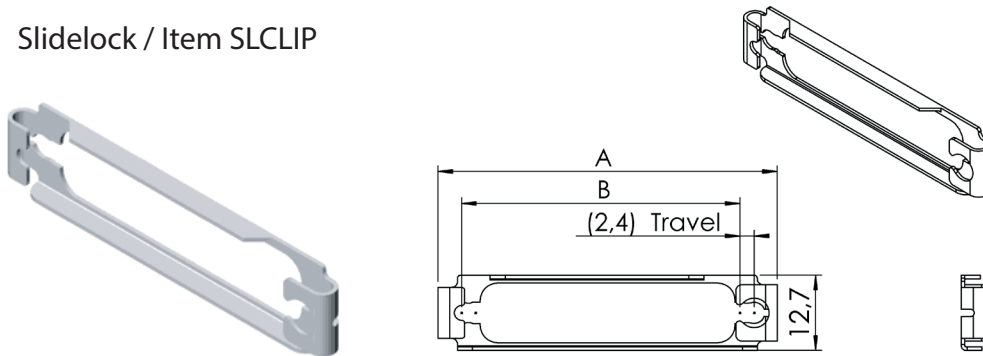
1 kit comprise: 1 slidelock
2 UNC 4-40 screws
2 spring washers
2 UNC 4-40 nuts

1 pair STUD-8: 2 screws, 8 mm long
2 UNC4-40nuts
2 spring washers
2 washers

Slide lock post / Item STUD-8



Slidelock / Item SLCLIP



Connector type	A	B
9-way	35,4	25,0
15-way	43,7	33,3
25-way	57,4	47,0
37-way	73,9	63,5

PART NUMBERING SYSTEM

SLCLIP - 15 - BULK

Series: _____

SLCLIP

Size: _____

9, 15, 25 and 37

Packaging: _____

K = Kitpackage
BULK = Bulk / 100 pcs

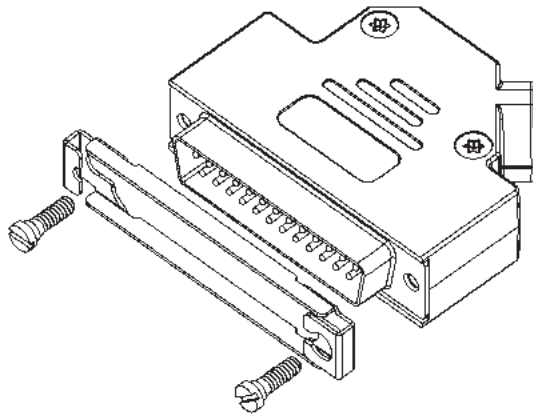
FEATURES

- Available in sizes 9, 15, 25 and 37
- Designed to be combined with Ossi backshells with integrated UNC 4-40 threads

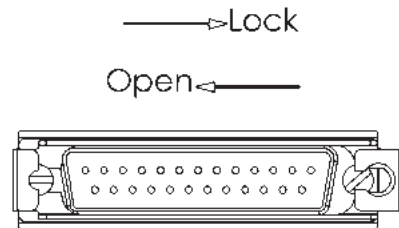
Assembly instruction Slidelock

Secure one screw onto the connector flange with the flat washer, lockwasher and hex nut. Tighten the screw to a torque between 11 - 22 Ncm.

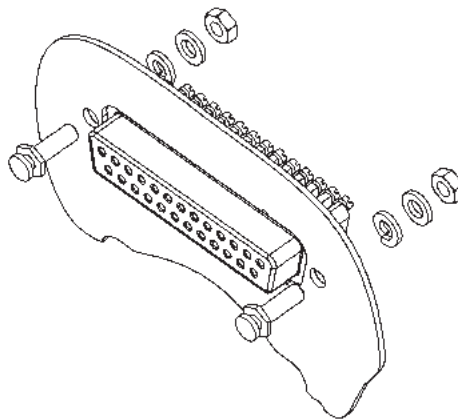
Slide the front side of the slide latch over the installed screw to hold the slide lock in position. Thread the remaining screw onto the other side of the connector flange with the hardware and tighten to a torque between 11 - 22 Ncm.



Push the slide lock from side to side to ensure proper movement.

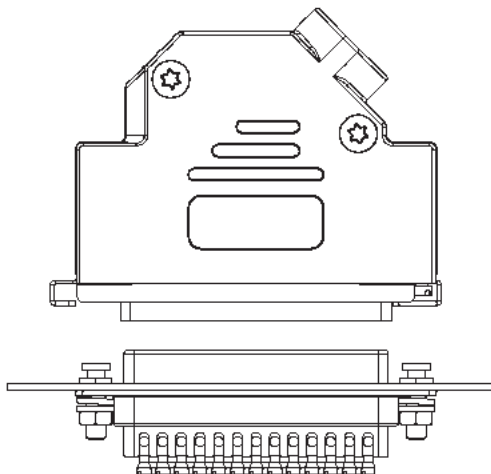


Insert the locking post into the front of the connector flange. Secure the locking post with the flat washer, locking washer and nut.



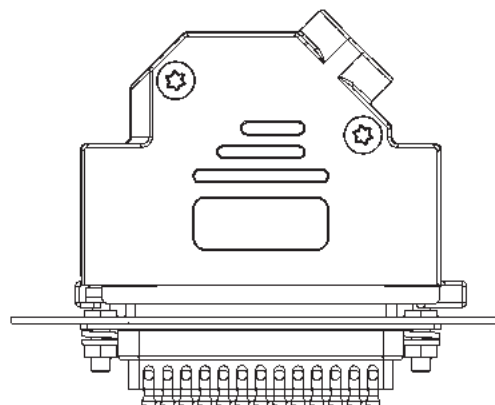
Disengage the connectors with slide lock as follows:

- 1) Move the slide lock from side to side until snaps into the the unlocking position.
- 2) Grasp the connectors and pull straight apart.



Engage the connector with slide lock as follows:

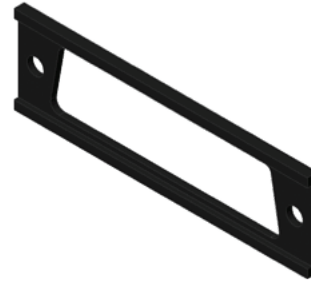
- 1) Position the slide lock so that the large latch opening is directly over a slide lock screw.
- 2) Align the connector mating faces and plug the two connectors together.
- 3) Move slide lock from side to side to lock the two connectors together.



D-Sub Accessories DCR Series

TECHNICAL SPECIFICATIONS

Material: Nylon UL94 V2
 Applications: Colour coding and identification of D-Sub backshells when mounted in panels or wall outlets
 Temp. range: -40°C - 90°C



Connector type	A	B
9-way	31,1	25
15-way	39,2	33,3
25-way	53,1	47

PART NUMBERING SYSTEM

DCR - 15 - YELLOW - BULK

Series: _____
 DCR
 Size: _____
 9, 15 and 25
 Colour: _____
 Black, blue, brown, green, grey,
 ivory, red, yellow, white and beige
 Packaging: _____
 BULK = Bulk / 100 pcs

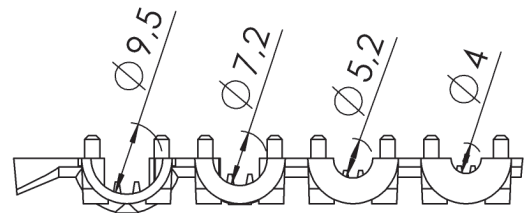
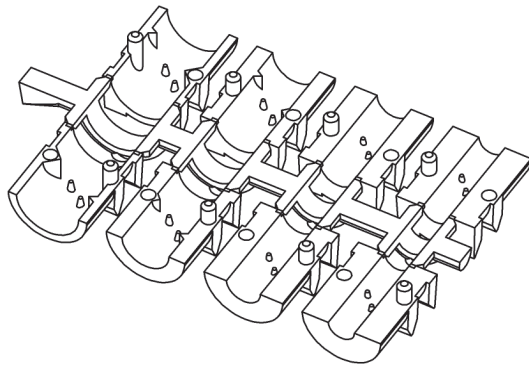
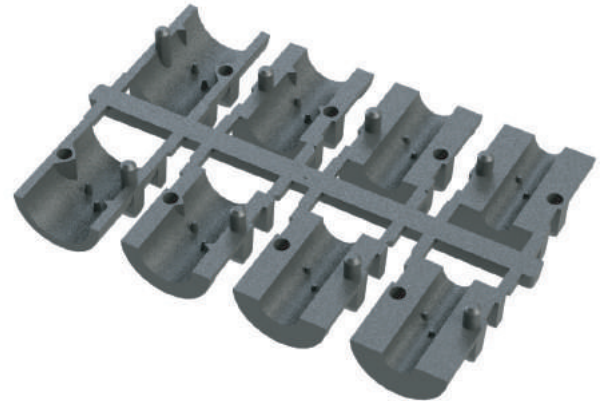
FEATURES

- Designed for colour identification of panels and wall outlets with Ossi D-Sub backshells
- Suitable for high integrity data links
- For custom designed solutions, please consult factory

D-Sub Accessories / DVZK-D1 Cable strain relief

TECHNICAL SPECIFICATIONS

Material:	Polycarbonate, PC UL94 V0
Applications:	Designed to be combined with DTPPK, DVPK, DSPK-SL, DTPMK, DVPMK, DTZK, DVZK, DVZK-SL, DVZK-W, DSZK, DSZK-SL and DSK-SL as cable strain relief
Cable diameter:	Cable strain relief set in 4 different sizes: 4, 5, 7 and 9 mm. Different sizes can be mixed
Colour:	Black
Temp.range:	-40°C - 120°C



PART NUMBERING SYSTEM

DVZK - D1 - BULK

Series:	_____
DVZK	_____
Part:	_____
D1	_____
Packaging:	_____
BULK = Bulk / 100 pcs	

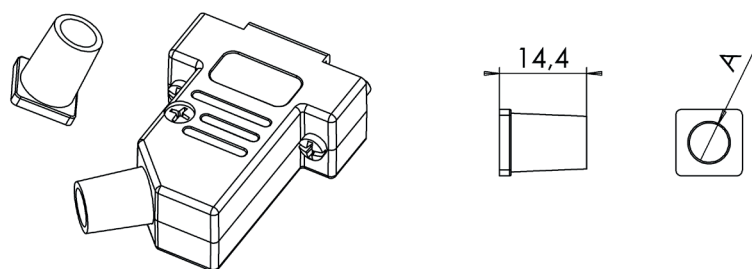
FEATURES

- Moulded in Polycarbonate (PC) UL94 V0
- Designed to be combined with DTPPK, DVPK, DSPK-SL, DTPMK, DVPMK, DTZK, DVZK, DVZK-SL, DVZK-W, DSZK, DSZK-SL and DSK-SL Series

D-Sub Accessories / DMZK-D1 Cable boot

TECHNICAL SPECIFICATIONS

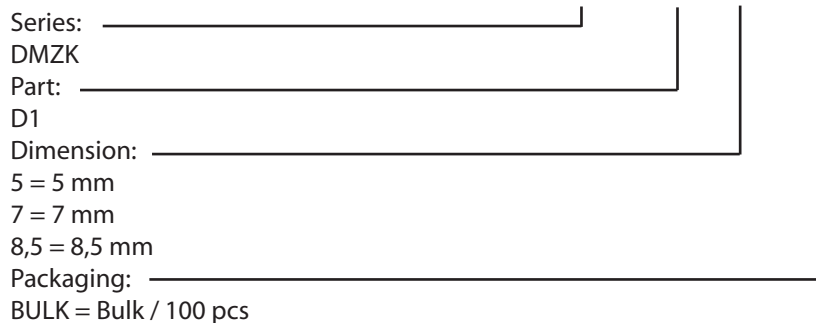
Material:	Evoprene Thermoplastic Elastomer UL94 V0
Applications:	Cable boot for the D-Sub backshells DMTZK, DMTZK-SL, DMVZK, DMVZK-SL in size 9-way
Cable diameter:	3 different sizes available: 5, 7 and 8,5 mm
Colour:	Black
Temp. range:	-40°C - 120°C



Item	A (inner diameter)
DMZK-D1-5	5 mm
DMZK-D1-7	7 mm
DMZK-D1-8,5	8,5 mm

PART NUMBERING SYSTEM

DMZK - D1 - 5 - BULK



FEATURES

- Moulded in Evoprene Thermoplastic Elastomer UL94 V0
- Designed to be combined as cable boot for DMTZK, DMTZK-SL, DMVZK and DMVZK-SL in size 9-way
- For custom designed solutions, please consult factory

D-Sub Accessories / DMZK-D2 Cable boot

TECHNICAL SPECIFICATIONS

Material:	Evoprene Thermoplastic Elastomer UL94 V0
Applications:	Cable boot for the backshells DMTZK and DMVZK in sizes 9- and 15-way
Cable diameter:	4.5, 7.5 and 10.5 mm cut off in steps to suit cable diameter
Colour:	Black
Temp. range:	-40°C - 120°C



PART NUMBERING SYSTEM

Series: _____	DMZK15 - D2 - BULK
DMZK	
Size: _____	
9- or 15-way	
Part: _____	
D2	
Packaging: _____	
BULK = Bulk / 100 pcs	

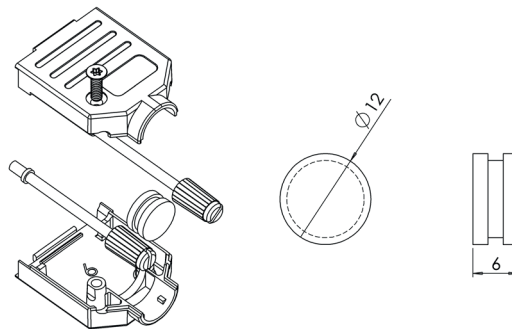
FEATURES

- Moulded in Evoprene Thermoplastic Elastomer UL94 V0
- Designed to be combined as cable boot for DMTZK and DMVZK backshells
- Cable boot can be cut to suit cable diameter

D-Sub Accessories / Cable Outlet Plug

TECHNICAL SPECIFICATIONS

Material: Brass, Ni-plated
Application: To replace cable strain relief DVZK-D1 and seal cable outlet when no cable mounted to backshell



PART NUMBERING SYSTEM

DTZK-D5 - BULK

Series: _____
DTZK-D5
Packaging: _____
BULK = Bulk / 100 pcs

FEATURES

- Designed to be combined with Ossi backshells to replace cable strain relief (DVZK-D1) when no cable mounted to backshell

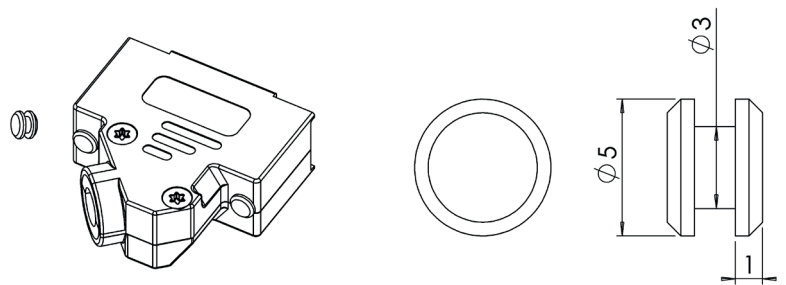
D-Sub Accessories / Sealing Plug

TECHNICAL SPECIFICATIONS

Material: Brass, Ni-plated
Application: DTZK-D6 to replace in DTZK and DTZK-D7 in DVZK when no jackscrews mounted to backshell



DTZK-D6: Replace jackscrews for DTZK Series
DTZK-D7: Replace jackscrews for DVZK Series



PART NUMBERING SYSTEM

DTZK-D6/D7 - BULK

Series: _____
DTZK-D6/D7
Packaging: _____
BULK = Bulk / 100 pcs

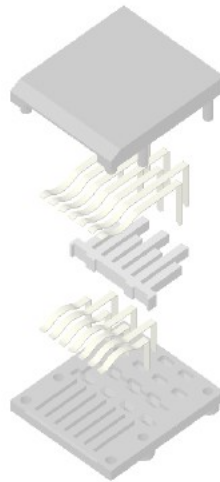
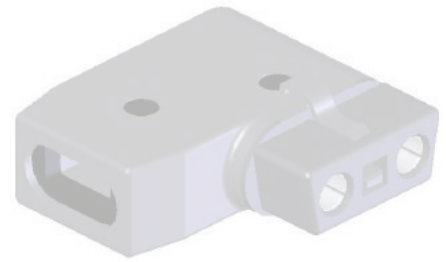
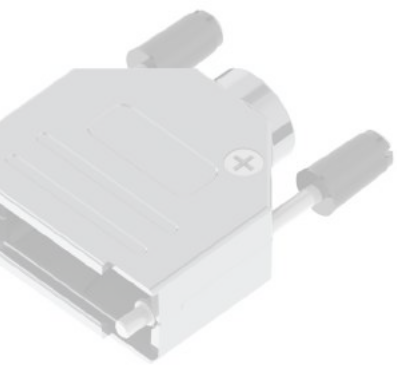
FEATURES

- Designed to be combined with Ossi backshells to replace when no jackscrews mounted.
- DTZK-D6 to replace jackscrews in DTZK Series
- DTZK-D7 to replace jackscrews in DVZK Series



Ossi Connectors A/S
Anker Jorgensens Vej 2
DK - 4930 Maribo
Denmark

Tel +45 54 78 28 88
E-mail info@ossi.dk
Web www.ossi.dk



Agent / Distributor:

