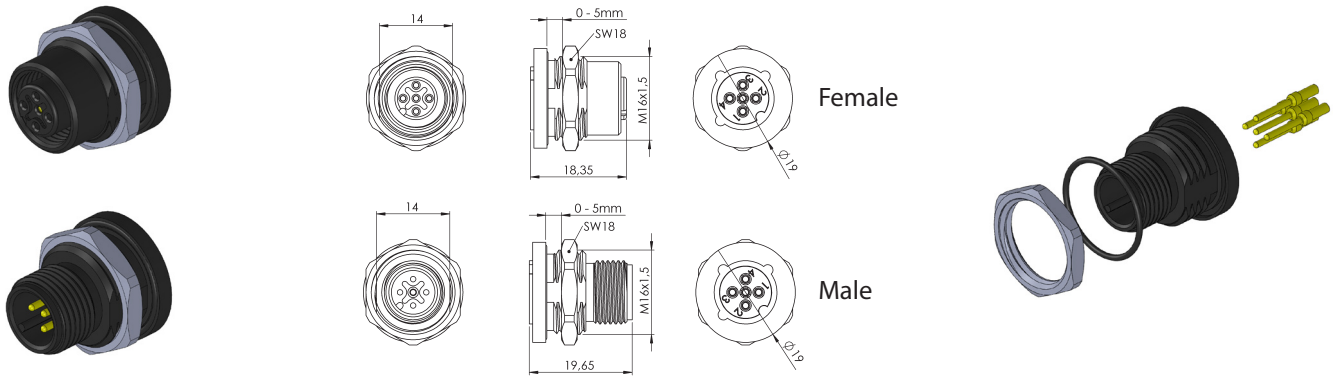
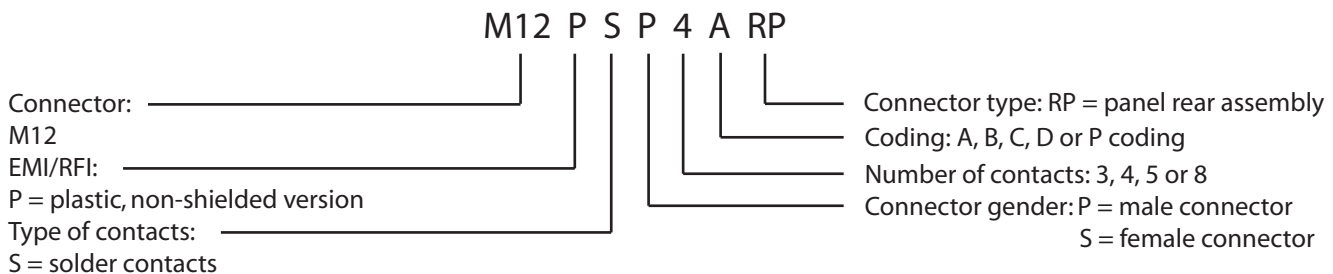


Circular M12 Connectors M12PSRP Series

Non-shielded panel connector rear assembly with solder contacts



PART NUMBERING SYSTEM



TECHNICAL SPECIFICATIONS

General values

Connector design	Panel connector
Locking system	M12 x 1
Termination	Solder
Panel thickness	≤ 5 mm
Temp. range	-25°C to 85°C IEC 60068-1
IP rating	IP67 IEC 60529
Mounting torque	60 Ncm

Electrical values

Rated voltage	250 V (3 - 4 contacts)
IEC 61076-2-101	60 V (5 contacts)
	30 V (8 contacts)
Rated current	4 A (3 - 4 contacts)
IEC 61076-2-101	4 A (A/B/P-code 5 contacts)
	2 A (5 - 8 contacts)
Volume resistance	≤ 8mΩ
Mating cycles	> 100 IEC 60512-9A
Pollution degree	3 IEC 60664-1

Material

Material of contact	CuZn, Brass alloy
Contact plating	Au-plated, Au over Ni
Contact body material	PA, Polyamide
Housing material	PA, Polyamide
O-ring	FKM