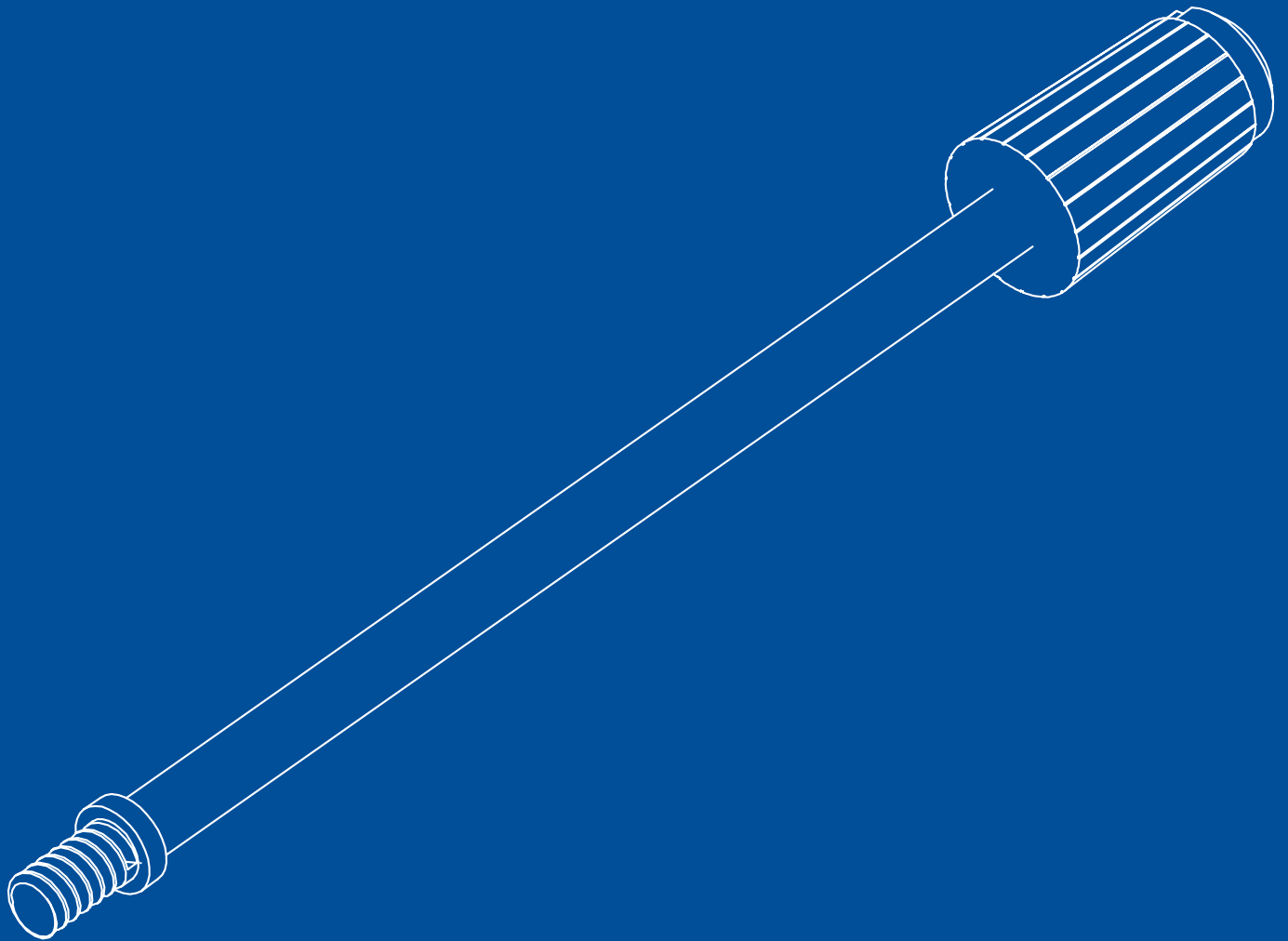


D-SUB ACCESSORIES



OSSI®: CONNECT TO EXCELLENCE

D-SUB ACCESSORIES CATALOGUE / EDITION 04

OSSI®
CONNECTORS
CONNECTORS, PARTS AND
EXCELLENCE SINCE 1974

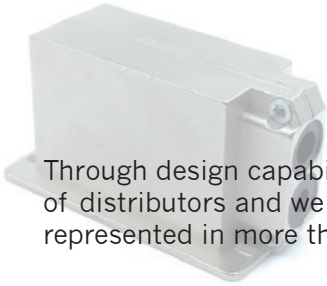


Supply and Service

Ossi Connectors A/S® is a leading supplier in design and manufacturing of I/O interconnect products for the electronics, datacom, telecom, medical and industrial market sectors. Our vast experience of designing standard and custom design solutions positions us as the provider for your interconnection applications.



Benefits



Through design capability, high quality and short lead times, our products are distributed by efficient network of distributors and we also co-operate with key accounts for special requirements. Ossi Connectors A/S® is represented in more than 25 countries and our distribution network is constantly growing.

Capability

The fully automatic assembly and packaging machines with our experienced employees assure the quality standards and support our production processes. The manufacturing resources include design, prototypes and manufacturing of standard and custom designed products. The engineering department supports our clients through the entire concept stage from idea to serial production.



Address

Ossi Connectors A/S
Anker Joergensens Vej 2
DK - 4930 Maribo
Denmark

Contact

T +45 5478 2888
E info@ossi.dk
W www.ossi.dk

D-SUB ACCESSORIES

| | |
|-----------------------------|-------|
| JACKSCREWS | 5 |
| FEMALE SCREW LOCK | 6 |
| SLIDE LOCK | 7 - 8 |
| DCR COLOUR CODING FRAMES | 9 |
| DVZK-D1 CABLE STRAIN RELIEF | 10 |
| DMZK-D1 CABLE BOOT | 11 |
| DTZK-D5 CABLE OUTLET PLUG | 12 |
| DTZK-D6 AND D7 SEALING PLUG | 13 |
| DMZK-D2 CABLE BOOT | 14 |

D-Sub Accessories / Jackscrews

TECHNICAL SPECIFICATIONS

| | |
|-----------------------|------------------------------------|
| Material (screw): | Zi-plated steel Ni-plated brass |
| Material (head D-JS): | Polyamide UL94 V2 |
| Mounting torque: | 50 - 130 Ncm |
| Thread options: | UNC 4-40 M2.5 M2.6 M3.0 |



| | |
|-----------|--|
| D-JS: | Jack screw with plastic screw head |
| D-JSS: | Turned solid metal jack screw |
| D-JSS-NH: | Turned solid metal jack screw with slot screw head |



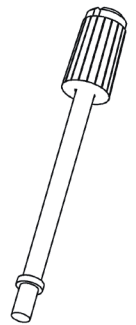
D-JSS-NH



D-JSS



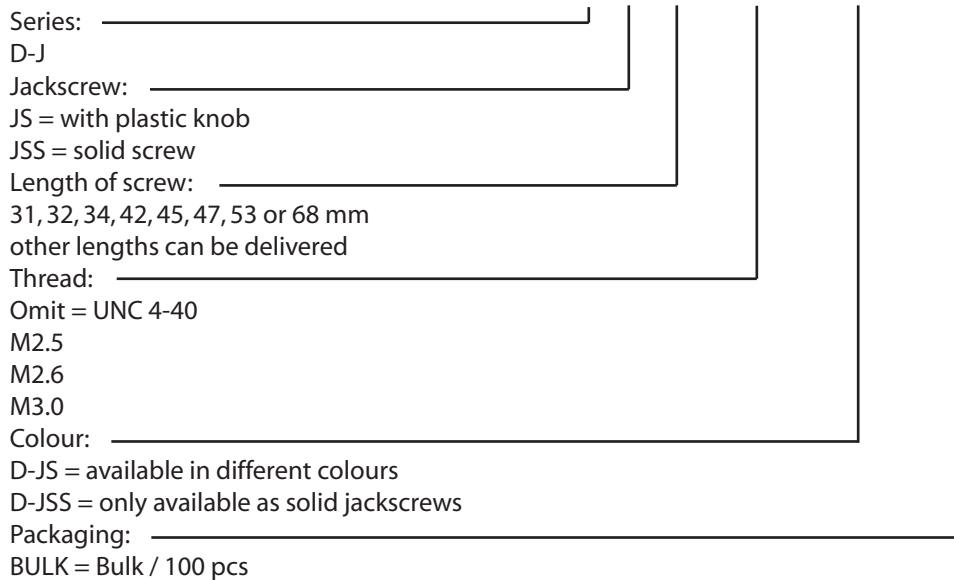
D-JSS



D-JS

PART NUMBERING SYSTEM

D-JS-45 - M3.0 - RED - BULK



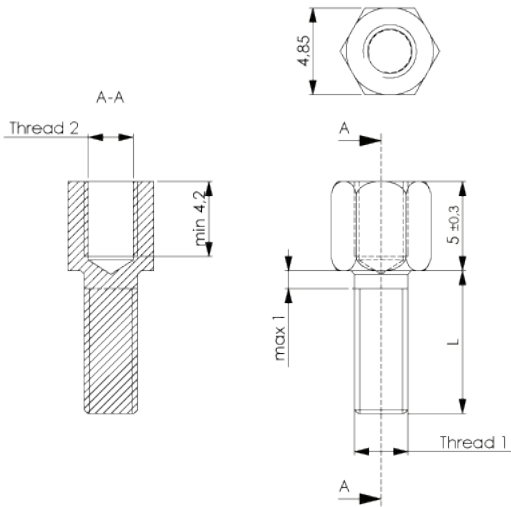
FEATURES

- Designed to be combined with Ossi D-Sub backshells
- D-JS supplied with screw head in different colours for coding
- D-JSS, solid metal CNC-machined Ni-plated brass or Zi-plated steel
- UNC 4-40, M2.5, M2.6 and M3.0 as thread options
- For custom designed solutions, please consult factory

D-Sub Accessories / Female Screw Lock

TECHNICAL SPECIFICATIONS

Material: Ni-plated steel
 1 kit comprise: 2 screws
 2 flat washers
 2 spring washers
 2 UNC 4-40 nuts
 2 M3 nuts
 Thread options: UNC 4-40 or M3



| Length (L) | Thread 1 | Thread 2 | Item |
|------------|----------|----------|------------|
| 8 mm | UNC4-40 | UNC 4-40 | DJF-8 |
| 8 mm | M3 | UNC 4-40 | DJF-8-3-4 |
| 8 mm | M3 | M3 | DJF-8-3-3 |
| 14 mm | UNC4-40 | UNC 4-40 | DJF-14 |
| 14 mm | M3 | M3 | DJF-14-3-3 |

PART NUMBERING SYSTEM

DJF - 8 - - BULK

Series: _____
 DJF
 Length: _____
 8 = 8 mm
 14 = 14 mm
 Thread options: _____
 See separate matrix above
 Packaging: _____
 K = Kitpackage
 BULK = Bulk / 100 pcs

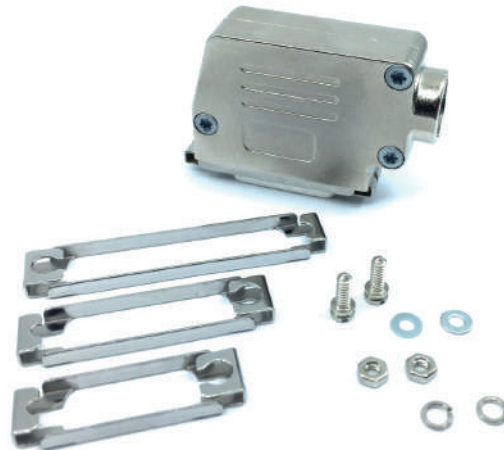
FEATURES

- Female screw with UNC 4-40 or M3 inner- and outer thread

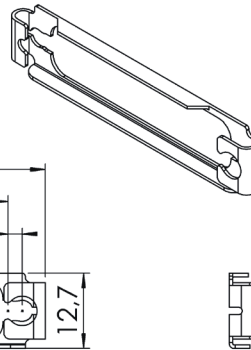
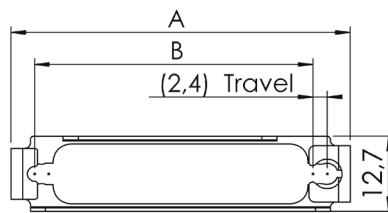
D-Sub Accessories / Slidelock

TECHNICAL SPECIFICATIONS SLIDELOCK

Material: Stainless steel
 1 kit comprise: 1 slidelock
 2 UNC 4-40 screws
 2 spring washers
 2 UNC 4-40 nuts
 2 washers



Slidelock / Item SLCLIP



| Connector type | A | B |
|----------------|------|------|
| 9-way | 35,4 | 25,0 |
| 15-way | 43,7 | 33,3 |
| 25-way | 57,4 | 47,0 |

PART NUMBERING SYSTEM

SLCLIP - 15 - BULK

Series: _____
 SLCLIP _____
 Size: _____
 9, 15 and 25 _____
 Packaging: _____
 K = Kitpackage
 BULK = Bulk / 100 pcs

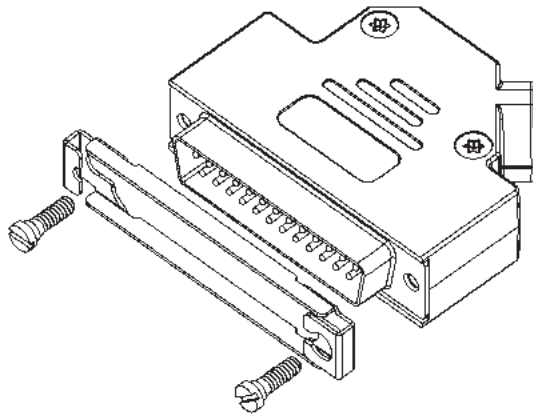
FEATURES

- Available in sizes 9, 15 and 25
- Designed to be combined with Ossi backshells with integrated UNC 4-40 threads

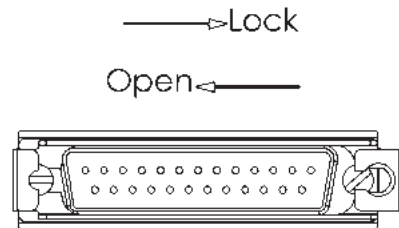
Assembly instruction Slidelock

Secure one screw onto the connector flange with the flat washer, lockwasher and hex nut. Tighten the screw to a torque between 11 - 22 Ncm.

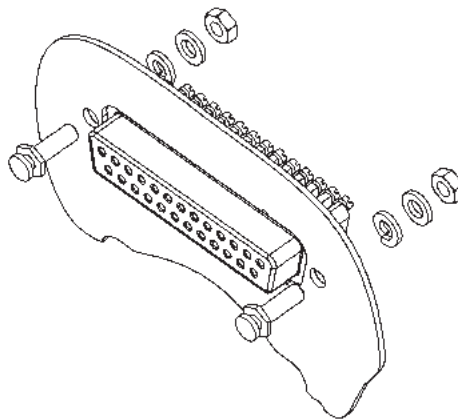
Slide the front side of the slide latch over the installed screw to hold the slide lock in position. Thread the remaining screw onto the other side of the connector flange with the hardware and tighten to a torque between 11 - 22 Ncm.



Push the slide lock from side to side to ensure proper movement.

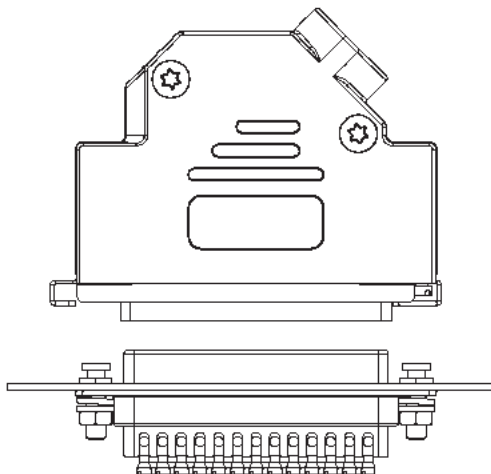


Insert the locking post into the front of the connector flange. Secure the locking post with the flat washer, locking washer and nut.



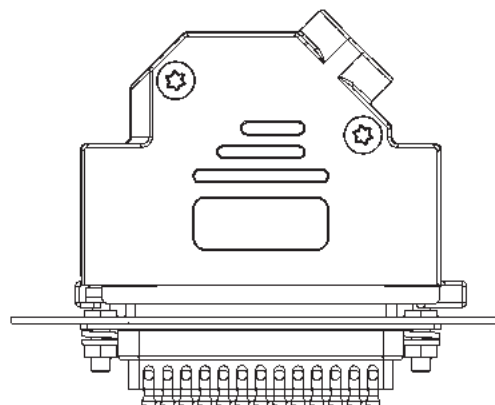
Disengage the connectors with slide lock as follows:

- 1) Move the slide lock from side to side until snaps into the the unlocking position.
- 2) Grasp the connectors and pull straight apart.



Engage the connector with slide lock as follows:

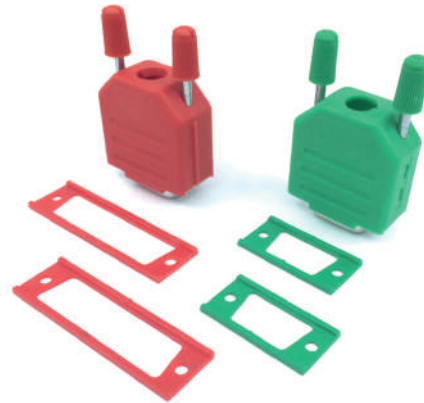
- 1) Position the slide lock so that the large latch opening is directly over a slide lock screw.
- 2) Align the connector mating faces and plug the two connectors together.
- 3) Move slide lock from side to side to lock the two connectors together.



D-Sub Accessories DCR Series

TECHNICAL SPECIFICATIONS

Material: Nylon UL94 V2
 Applications: Colour coding and identification of D-Sub backshells when mounted in panels or wall outlets
 Temp. range: -40°C - 90°C



| Connector type | A | B |
|----------------|------|------|
| 9-way | 31,1 | 25 |
| 15-way | 39,2 | 33,3 |
| 25-way | 53,1 | 47 |

PART NUMBERING SYSTEM

DCR - 15 - YELLOW - BULK

Series: _____
 DCR
 Size: _____
 9, 15 and 25
 Colour: _____
 Black, blue, brown, green, grey,
 ivory, red, yellow, white and beige
 Packaging: _____
 BULK = Bulk / 100 pcs

FEATURES

- Colour coding and identification frame for panels and wall outlets
- Suitable for high integrity data links
- For custom designed solutions, please consult factory

D-Sub Accessories / DVZK-D1 Cable strain relief

TECHNICAL SPECIFICATIONS

| | |
|-----------------|--|
| Material: | Polycarbonate, PC UL94 V0 |
| Applications: | Designed to be combined with DTPPK, DVPK, DSPK-SL, DTPMK, DVPMK, DTZK, DVZK, DVZK-SL, DVZK-W, DSZK, DSZK-SL and DSK-SL as cable strain relief |
| Cable diameter: | 9 - 37-way (4, 5, 7 and 9 mm) 50-way (4, 5, 7, 9 and 11 mm) Different sizes can be mixed |
| Colour: | Black |
| Temp.range: | -40°C - 120°C |



PART NUMBERING SYSTEM

DVZK - D1 - BULK

| | |
|-----------------------|--|
| Series: _____ | └──────────┘ └──────────┘ └──────────┘ └──────────┘ |
| DVZK/DVZK50 | |
| Part: _____ | |
| D1 | |
| Packaging: _____ | |
| BULK = Bulk / 100 pcs | |

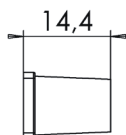
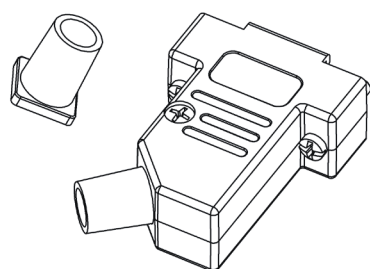
FEATURES

- Moulded in Polycarbonate (PC) UL94 V0
- Designed to be combined with DTPPK, DVPK, DSPK-SL, DTPMK, DVPMK, DTZK, DVZK, DVZK-SL, DVZK-W, DSZK, DSZK-SL, DSVZK and DSK-SL Series

D-Sub Accessories / DMZK-D1 Cable boot

TECHNICAL SPECIFICATIONS

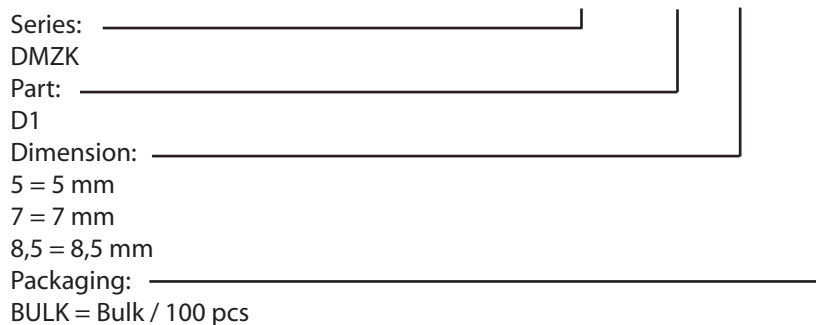
| | |
|-----------------|--|
| Material: | Evoprene Thermoplastic Elastomer UL94 V0 |
| Applications: | Cable boot for the D-Sub backshells DMTZK, DMTZK-SL, DMVZK, DMVZK-SL in size 9-way |
| Cable diameter: | 3 different sizes available: 5, 7 and 8,5 mm |
| Colour: | Black |
| Temp. range: | -40°C - 120°C |



| Item | A (inner diameter) |
|-------------|--------------------|
| DMZK-D1-5 | 5 mm |
| DMZK-D1-7 | 7 mm |
| DMZK-D1-8,5 | 8,5 mm |

PART NUMBERING SYSTEM

DMZK - D1 - 5 - BULK



FEATURES

- Moulded in Evoprene Thermoplastic Elastomer UL94 V0
- Designed to be combined as cable boot for DMTZK, DMTZK-SL, DMVZK and DMVZK-SL in size 9-way
- For custom designed solutions, please consult factory

D-Sub Accessories / DMZK-D2 Cable boot

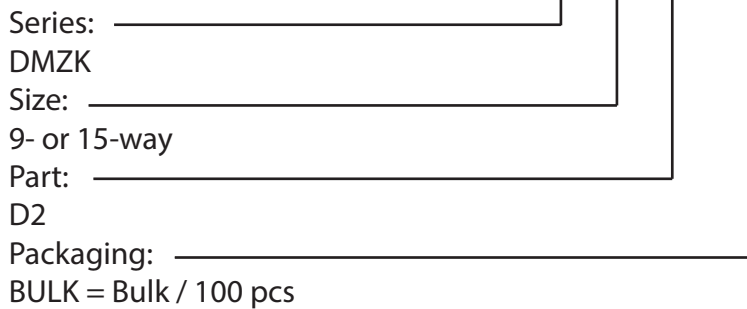
TECHNICAL SPECIFICATIONS

| | |
|-----------------|--|
| Material: | Evoprene Thermoplastic Elastomer UL94 V0 |
| Applications: | Cable boot for the backshells DMTZK and DMVZK in sizes 9- and 15-way |
| Cable diameter: | 4.5, 7.5 and 10.5 mm cut off in steps to suit cable diameter |
| Colour: | Black |
| Temp. range: | -40°C - 120°C |



PART NUMBERING SYSTEM

DMZK15 - D2 - BULK



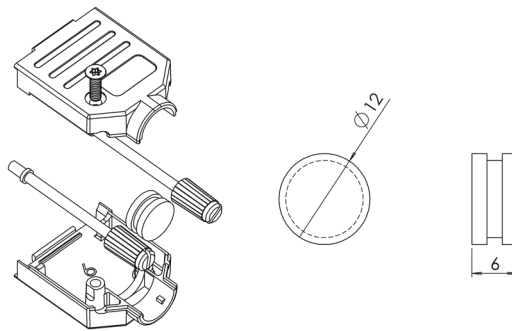
FEATURES

- Moulded in Evoprene Thermoplastic Elastomer UL94 V0
- Designed to be combined as cable boot for DMTZK and DMVZK backshells
- Cable boot can be cut to suit cable diameter

D-Sub Accessories / Cable Outlet Plug

TECHNICAL SPECIFICATIONS

Material: Brass, Ni-plated
Application: To replace cable strain relief DVZK-D1 and seal cable outlet when no cable mounted to backshell



PART NUMBERING SYSTEM

DTZK-D5 - BULK

Series: _____
DTZK-D5
Packaging: _____
BULK = Bulk / 100 pcs

FEATURES

- Designed to be combined with Ossi backshells to replace cable strain relief (DVZK-D1) when no cable mounted to backshell

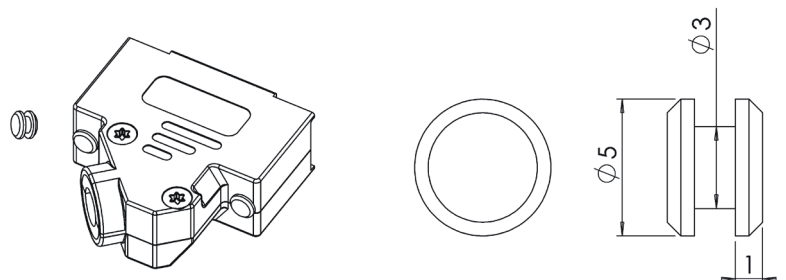
D-Sub Accessories / Sealing Plug

TECHNICAL SPECIFICATIONS

Material: Brass, Ni-plated
Application: DTZK-D6 to replace in DTZK and DTZK-D7 in DVZK when no jackscrews mounted to backshell



DTZK-D6: Replace jackscrews for DTZK Series
DTZK-D7: Replace jackscrews for DVZK Series



PART NUMBERING SYSTEM

DTZK-D6/D7 - BULK

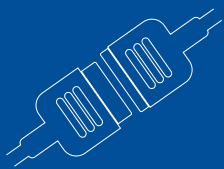
Series: _____
DTZK-D6/D7
Packaging: _____
BULK = Bulk / 100 pcs

FEATURES

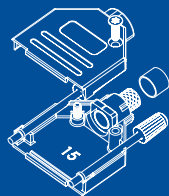
- Designed to be combined with Ossi backshells to replace when no jackscrews mounted.
- DTZK-D6 to replace jackscrews in DTZK Series
- DTZK-D7 to replace jackscrews in DVZK Series

CONNECT TO OSSI

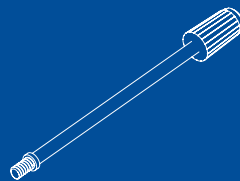
DISCOVER OUR PRODUCTS, SERVICES AND
ONLINE CATALOGUES AT WWW.OSSI.DK



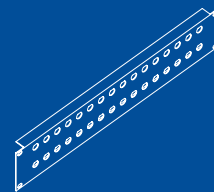
MAIN
CATALOGUE



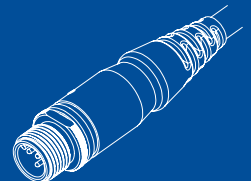
D-SUB
BACKSHELLS



D-SUB
ACCESSORIES



19" PATCH
PANELS



M12 CIRCULAR
CONNECTORS

OSSI[®]
CONNECTORS
CONNECTORS, PARTS AND
EXCELLENCE SINCE 1974

OSSI CONNECTORS A/S
ANKER JØRGENSENS VEJ 2
DK-4930 MARIBO
DENMARK
WEB: WWW.OSSI.DK
TEL: +45 54 78 28 88
E-MAIL: INFO@OSSI.DK

ALL RIGHTS RESERVED ©1974-2018 OSSI CONNECTORS A/S. OSSI[®] IS A REGISTERED TRADEMARK. LAND DESIGNLAB FOR OSSI CONNECTORS 10.18>