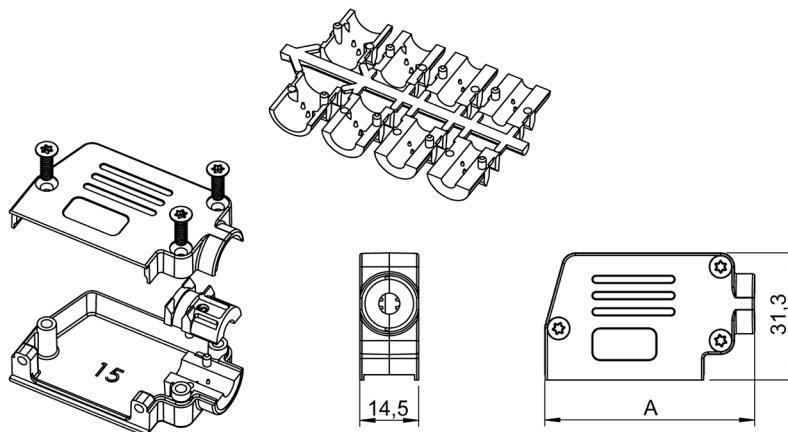
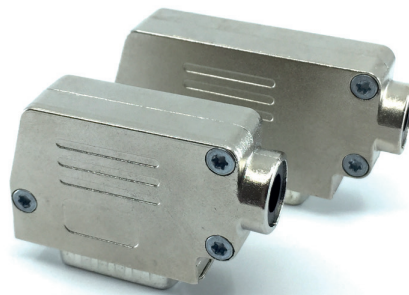


Shielded D-Sub Backshells DSZK-SL Series

TECHNICAL SPECIFICATIONS

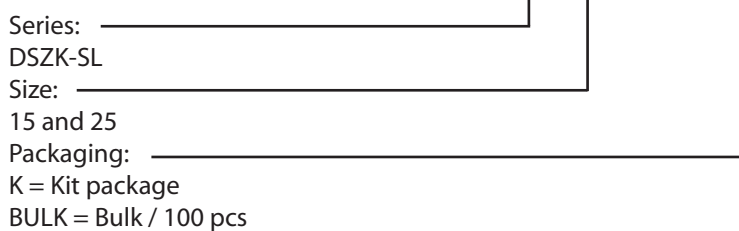
Material:	Zinc, Ni-plated
Temp. range:	-40°C - 120°C
Cable strain relief:	Polycarbonate, PC UL94 V0
Cable diameter:	3.0 - 13.0 mm
Locking screws:	Integrated UNC 4-40 threads for slidelock or panel assembly
Assembly screws:	Taptite thread forming
Cable outlet:	Side
Attenuation factor:	> 40 dB between 30 MHz and 1 GHz



TYPE	A
DSZK15-SL	51,8
DSZK25-SL	65,5

PART NUMBERING SYSTEM

DSZK15 - SL - BULK



FEATURES

- Available in sizes 15 and 25
- Minimise interference from electromagnetic and RF sources
- Non-static parts avoid ESD problems
- Accept round foil and braided cable types
- Approved according VDE 0871, FCC 20780 and 89/336/EU
- Printed logotype available upon request
- Integrated UNC 4-40 threads for slidelock or panel assembly
- For custom designed solutions, please consult factory