

ITEM NO.	QTY.	PART NO.	DESCRIPTION
1	1	DSZK15-SL-D5	Cover bottom
2	1	DSZK15-SL-D6	Cover top
3	3	MFT-GF-3x10	Screw
4	1	DVZK-D1	Strain relief



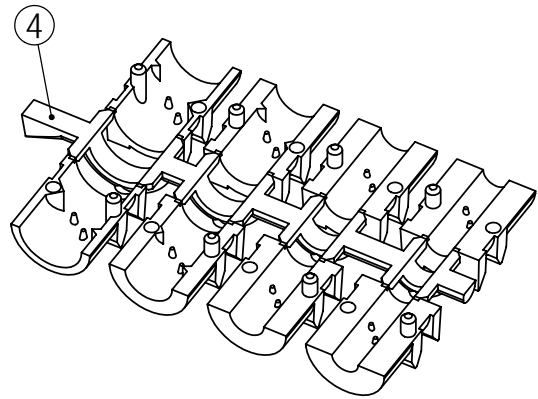
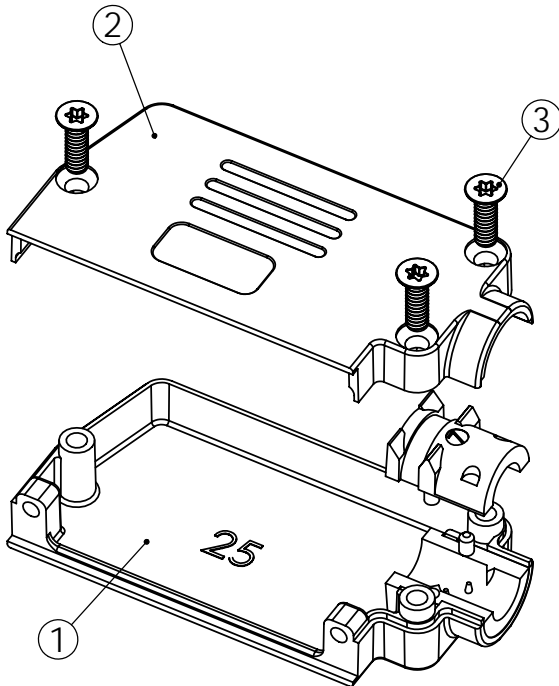
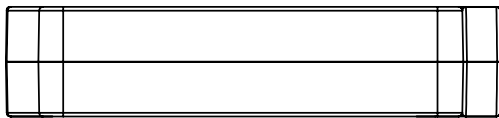
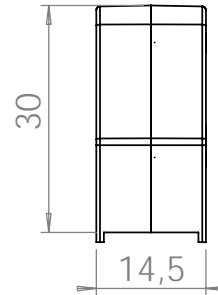
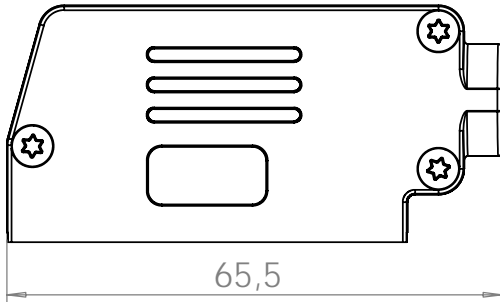
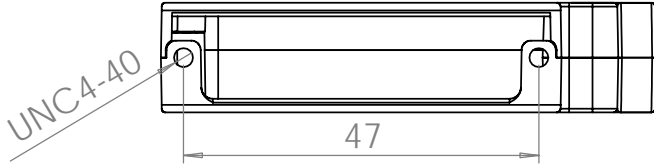
THIS DRAWING MUST NOT BE COPIED WITHOUT OUR PERMISSION, IMPARTED TO A THIRD PART OR OTHERWISE USED WITHOUT AUTHORISATION. CONTRAVENTION WILL BE PROSECUTED

OSSI
CONNECTORS

Postbox 125
DK-4930 Maribo
Danmark
Tlf: 54782888 / Fax: 54783340

DSZK15-SL

Draw.nr: 41256
Date: 27.04.05
Rev.: A
Sign.: RK



ITEM NO.	QTY.	PART NO.	DESCRIPTION
1	1	DSZK25-SL-D5	Cover bottom
2	1	DSZK25-SL-D6	Cover top
3	3	MFT-GF-3x10	Screw
4	1	DVZK-D1	Strain relief



THIS DRAWING MUST NOT BE COPIED WITHOUT OUR PERMISSION, IMPARTED TO A THIRD PART OR OTHERWISE USED WITHOUT AUTHORISATION. CONTRAVENTION WILL BE PROSECUTED

OSSI
CONNECTORS

Postbox 125
DK-4930 Maribo
Danmark
Tlf: 54782888 / Fax: 54783340

DSZK25-SL

Draw.nr: 41278
Date: 16.03.06
Rev.: A
Sign.: RK