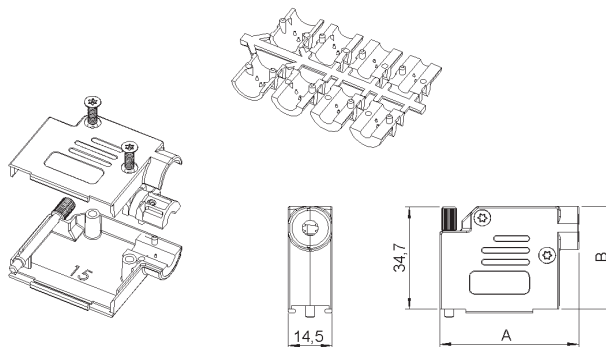
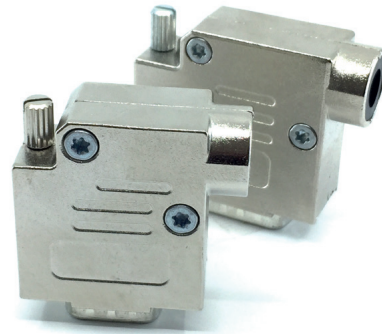


Shielded D-Sub Backshells DSZK Series

TECHNICAL SPECIFICATIONS

Material:	Zinc, Ni-plated
Temp. range:	-40°C - 120°C
Cable strain relief:	Polycarbonate PC UL94 V0
Cable diameter:	3.0 - 13.0 mm
Locking screws:	Long jackscrews with groove for indication of thread
Assembly screws:	Taptite thread forming
Cable outlet:	Side
Attenuation factor:	> 40 dB between 30 MHz and 1 GHz



TYPE	A	B
DSZK9	37,7	35
DSZK15	46	35

PART NUMBERING SYSTEM

DSZK15 - M3.0 - BULK

Series: _____
 DSZK
 Size: _____
 9 and 15
 Thread (jackscrew): _____
 Omit = UNC 4-40
 M2.5
 M2.6
 M3.0

Packaging:
 K = Kit package
 BULK = Bulk package / 100 pcs

FEATURES

- Available in sizes 9 and 15
- Minimise interference from electromagnetic and RF sources
- Non-static parts avoid ESD problems
- Accept round foil and braided cable types
- Approved according VDE 0871, FCC 20780 and 89/336/EU
- Printed logotype available upon request
- Long jackscrews with UNC 4-40 thread as standard, M2.5, M2.6 or M3.0 as option
- For custom designed solutions, please consult factory