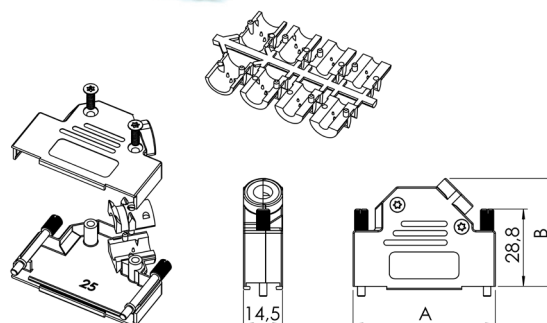


Shielded D-Sub Backshells DVZK-JSS Series

TECHNICAL SPECIFICATIONS

Material:	Zinc, Ni-plated
Temp. range:	-40°C - 120°C
Cable strain relief:	Polycarbonate, PC UL94 V0
Cable diameter:	4.0 - 13.0 mm <17.0 mm DVZK50
Locking screws:	Long jackscrews with groove for thread indication
Assembly screws:	Taptite thread forming
Cable outlet:	Angled
Attenuation factor:	> 40 dB between 30 MHz and 1 GHz



TYPE	A	B
DVZK9	31	36,2
DVZK15	39,5	40,2
DVZK25	53,2	40,2
DVZK37	69,7	40,2
DVZK50	67,2	43,7

PART NUMBERING SYSTEM

DVZK37 - JSS - M3.0 - K

Series: DVZK-JSS
 Size: 9, 15, 25, 37 and 50
 Jackscrew: Solid metal

Packaging:
 K = Kit package
 BULK = Bulk package / 100 pcs
 Thread (jackscrew):
 Omit= UNC4-40
 M2.5
 M2.6
 M3.0

FEATURES

- Available in sizes 9, 15, 25, 37 and 50
- Minimise interference from electromagnetic and RF sources
- Non-static parts avoid ESD problems
- Accept round foil and braided cable types
- No special assembly tools required
- Printed logotype available upon request
- Long jackscrews with UNC 4-40 thread as standard, M2.5, M2.6 or M3.0 as option
- For custom designed solutions, please consult factory