

*Linecard Edition 02*

*Plastic D-Sub Backshells*

# OSI<sup>®</sup> CONNECTORS

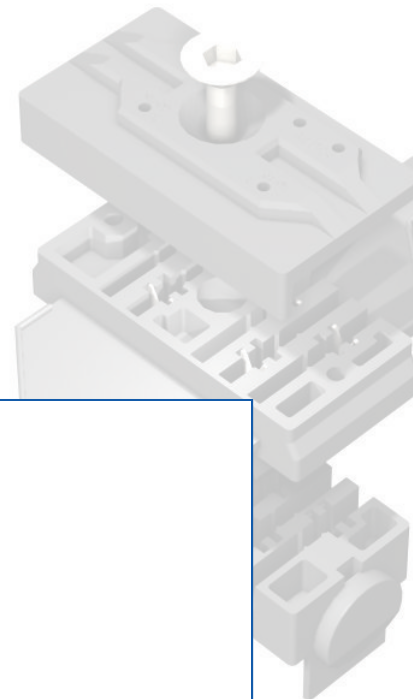
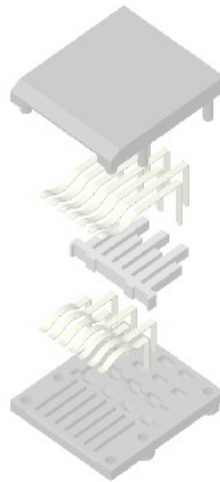
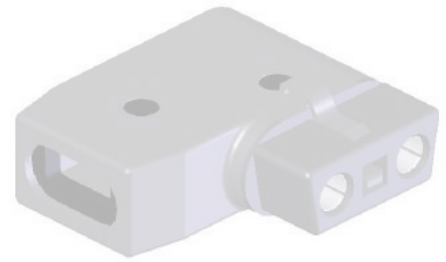
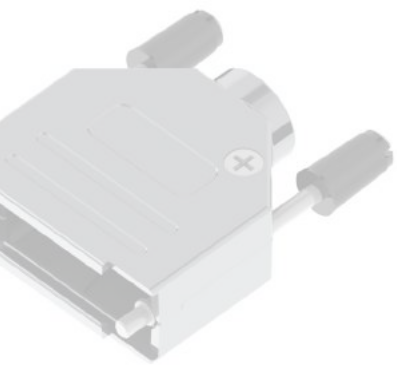


SERIES	DPPK	DTPPK	DVPK	DPPK-2	DSPK-SL	DAPK
SHELL SIZES	9/15/25/37	9/15/25/37	9/15/25/37	9/25	9/15/25/37	15/25
STANDARD MATERIAL	POLYAMIDE	POLYCARBONATE	POLYCARBONATE	POLYCARBONATE	POLYCARBONATE	POLYCARBONATE
<b>CONNECTOR APPLICATIONS</b>						
D-SUB SOLDER CONNECTOR	YES	YES	YES	YES	YES	YES
D-SUB CRIMP CONNECTOR	YES	YES	YES	YES	YES	YES
D-SUB MIXED LAYOUT CONNECTOR	YES	YES	YES	YES	YES	YES
D-SUB FLAT CABLE IDC CONNECTOR	NO	NO	NO	NO	YES	YES
<b>CABLE APPLICATIONS</b>						
ROUND CABLE	YES	YES	YES	YES	YES	ADAPTER
FLAT ROUND CABLE	YES	YES	YES	YES	YES	ADAPTER
FLAT CABLE	NO	NO	NO	NO	NO	ADAPTER
<b>FEATURES</b>						
UL COMPLIANCE	UL94 V2	UL94 V0	UL94 V0	UL94 V0	UL94 V0	UL94 V0
ROHS	YES	YES	YES	YES	YES	YES
REACH	YES	YES	YES	YES	YES	YES
PFOA / PFOB FREE	YES	YES	YES	YES	YES	YES
HALOGEN FREE	YES	YES	YES	YES	YES	YES
TERMINATION	CABLE CLAMP	CABLE INSERTS	CABLE INSERTS	CABLE CLAMP	CABLE INSERTS	N.A.
CABLE OUTLET	180°	180°	45°	180°	90°	N.A.
CABLE BOOT	YES	NO	NO	NO	NO	N.A.
<b>LOCKING DEVICES</b>						
LONG JACK SCREWS	YES	YES	YES	YES	NO	YES
SLIDE LOCK	NO	NO	NO	NO	YES	NO
SHORT LOCKING SCREWS	NO	NO	NO	NO	NO	YES



Ossi Connectors A/S  
Anker Jorgensens Vej 2  
DK - 4930 Maribo  
Denmark

Tel +45 54 78 28 88  
E-mail [info@ossi.dk](mailto:info@ossi.dk)  
Web [www.ossi.dk](http://www.ossi.dk)



Agent / Distributor: