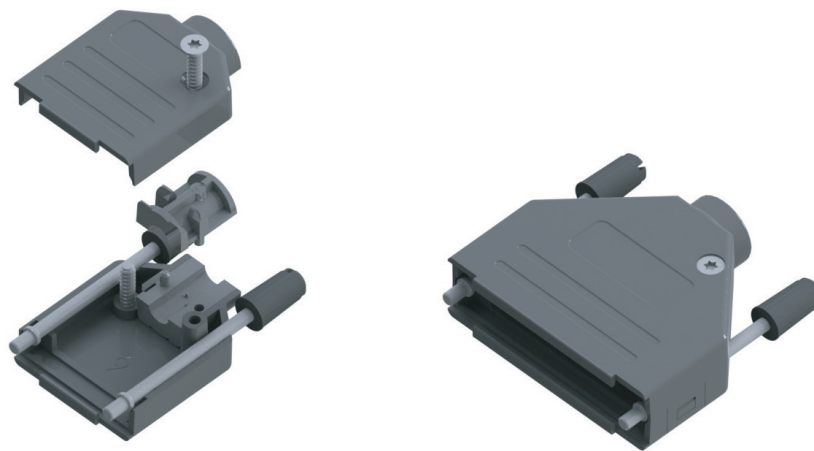


DTPPK Series

Ossi Connectors product portfolio has expanded with a new range of D-Sub backshells. These backshells are manufactured from Polycarbonate and delivered with unique set cable grommets, long jackscrews and optional colour features.



Product features

- Available in 9, 15, 25 and 37-way
- Strain relief inserts ensure secure termination
- Different colour options
- Re-openable
- Moulded logotype available upon request
- Long jackscrews with UNC4-40 tread as standard, M2.5, M2.6 and M3.0 as option
- Complies to RoHS 2002/95/EC and WEEE 2002/96/EC

Please contact us for samples, and further information about the DTPPK Series.