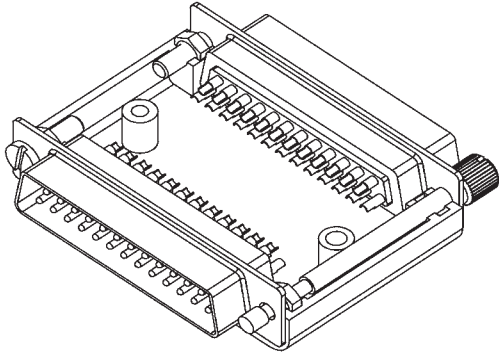
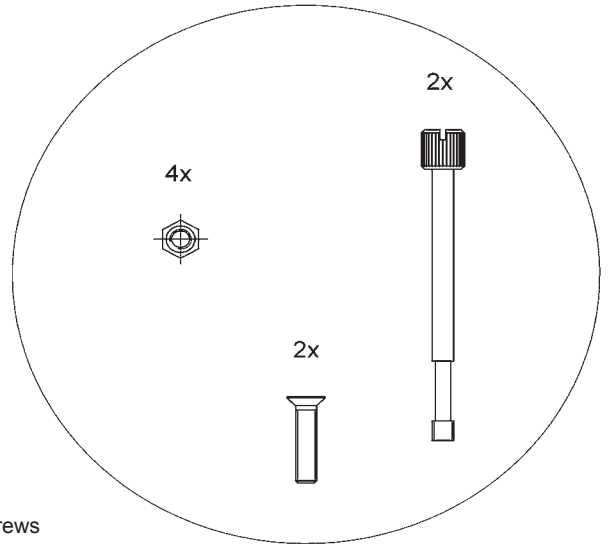


# Assembly instruction DAPK Series

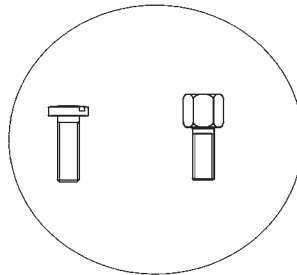
Mount D-Sub connectors and accessories in the adaptor as illustrated below.



Each kit comprise parts below as standard.  
2 long UNC4-40 jackscrews, 2 assembly screws  
and 4 UNC4-40 nuts.



Adaptor accessories are fixed screws to replace the long jackscrews and female screw lock.



Close the adaptor covers to complete the assembly by using the two assembly screws.  
Maximum mounting torque is 40 - 50 Ncm.

