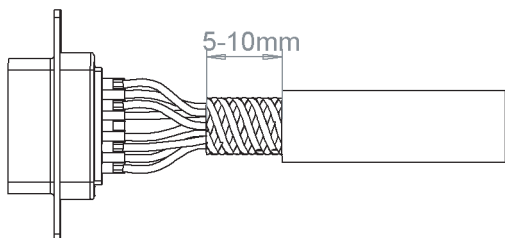
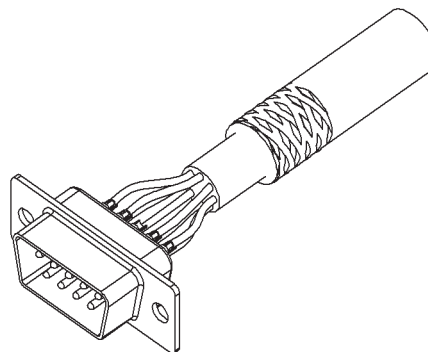


# Assembly instruction DMTZK Series

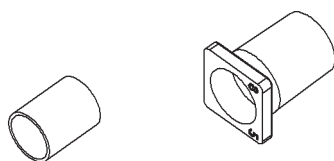
Prepare cable by stripping off the cable shield 5 -10 mm as illustrated below.



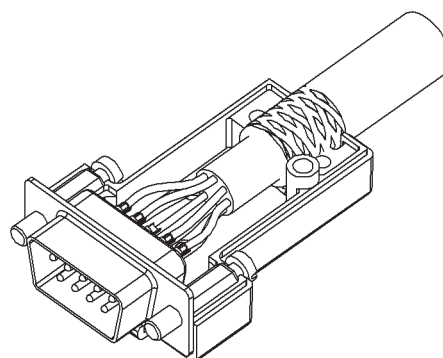
Bend the braided shielding over the outer cable jacket as illustrated below.



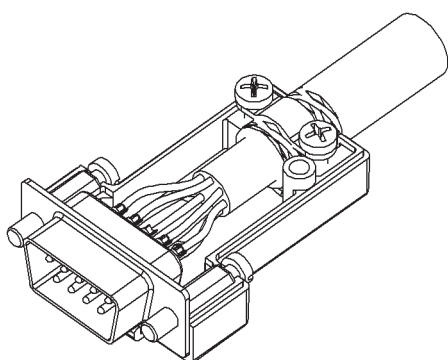
Cable grommet, cable ferrule and cable boot are supplied as accessories.



Place the cable and assembled connector inside the bottom back shell half.



Fasten the cable clamp with the two cable clamp screws enclosed the kit.



Mount the top back shell half with the accompanied assembly screw. Maximum mounting torque is 80 - 100 Ncm. Assembly is now completed.

