

POS.	QTY.	-CK	-JS	-JSS	-FK	Packing alternative	DESCRIPTION
1	2	2	2	2	2	DAPK15-D1	Cover half
2	2	2	-	-	-	DA-JS	Jackscrew
3	4	-	-	-	4	UNC 4-40x1/4	Screw LCS
4	4	2	2	4	4	UNC 4-40	Nut
5	2	2	2	2	2	B4	Screw
6	-	-	2	-	-	DA-JSS	Jackscrew solid

**OSSI**  
CONNECTORS

Postbox 125  
DK-4930 Maribo  
Danmark  
Tlf. 54782888 / Fax: 54783340

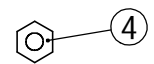
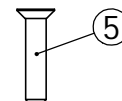
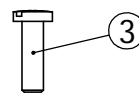
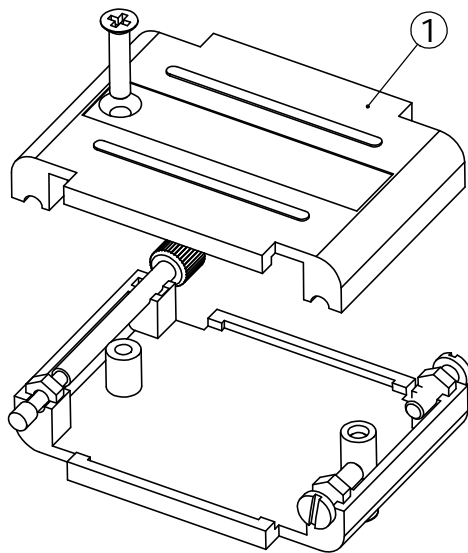
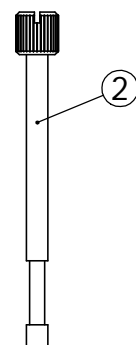
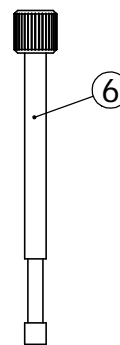
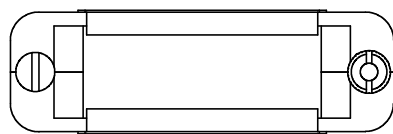
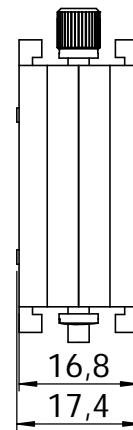
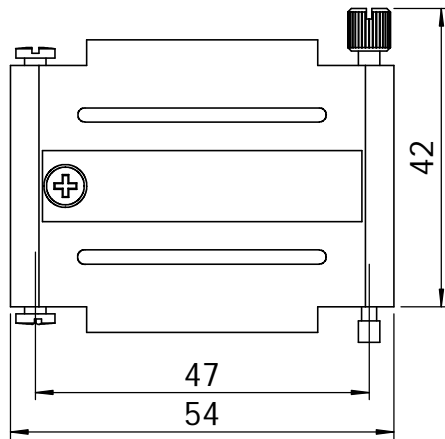
DAPK 15

Tegn.nr: 41178

Date: 02.01.01

Rev.: A

Sign.: RK



POS.					Packing alternative	
	-CK	-JS	-JSS	-FK	PART NO.	DESCRIPTION
1	2	2	2	2	DAPK25-D1	Cover half
2	2	2	-	-	DA-JS	Jackscrew
3	4	-	-	4	UNC 4-40x1/4	Screw LCS
4	4	2	2	4	UNC 4-40	Nut
5	2	2	2	2	B4	Screw
6	-	-	2	-	DA-JSS	Jackscrew solid

**OSSI**  
CONNECTORS

Postbox 125  
DK-4930 Maribo  
Danmark  
Tlf. 54782888 / Fax: 54783340

DAPK 25

Tegn.nr: 41177

Date: 29.12.00

Rev.: A

Sign.: RK