

POS.	QTY.	QTY.	QTY.	QTY.	PART NO.	DESCRIPTION
1	2	2	2	2	DAPMK15-D1	Cover half
2	2	2	-	-	DA-JS	Jack screw
3	4	-	-	4	UNC 4-40x1/4	Screw LCS
4	4	2	2	4	UNC 4-40	Nut
5	2	2	2	2	B4	Screw
6	-	-	2	-	DA-JSS	Jack screw solid

OSSI
CONNECTORS

Postbox 125
DK-4930 Maribo
Denmark
Tlf: 54782888 / Fax: 54783340

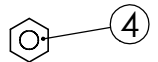
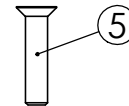
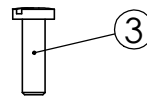
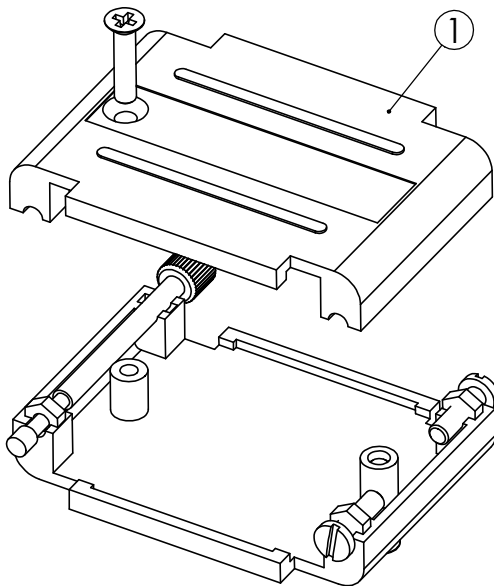
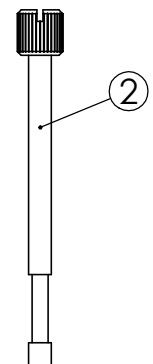
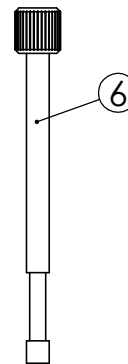
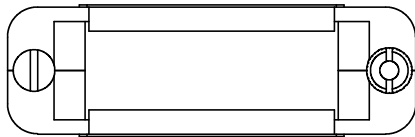
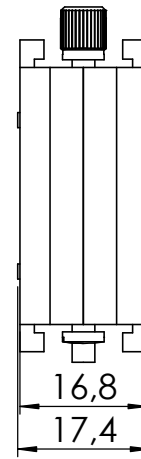
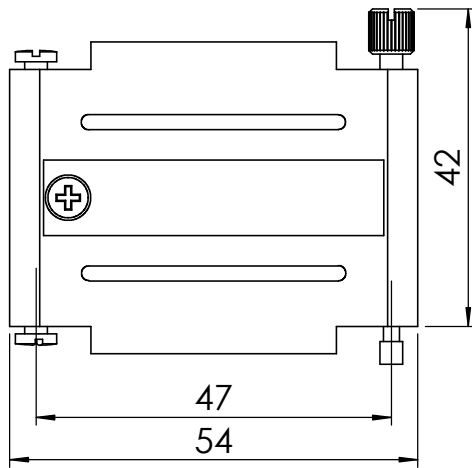
DAPMK15

Tegn.nr: 41230

Date: 06.11.03

Rev.: A

Sign.: RK



POS.	-CK	-JS	-JSS	-FK	Packing alternative	DESCRIPTION
1	2	2	2	2	DAPMK25-D1	Cover half
2	2	2	-	-	DA-JS	Jack screw
3	4	-	-	4	UNC 4-40x1/4	Screw LCS
4	4	2	2	4	UNC 4-40	Nut
5	2	2	2	2	B4	Screw
6	-	-	2	-	DA-JSS	Jack screw solid

OSSI
CONNECTORS

Postbox 125
DK-4930 Maribo
Denmark
Tlf: 54782888 / Fax: 54783340

DAPMK 25

Tegn.nr: 41231

Date: 06.11.03

Rev.: A

Sign.: RK