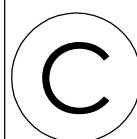
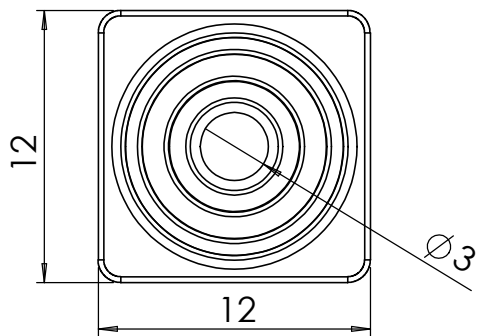




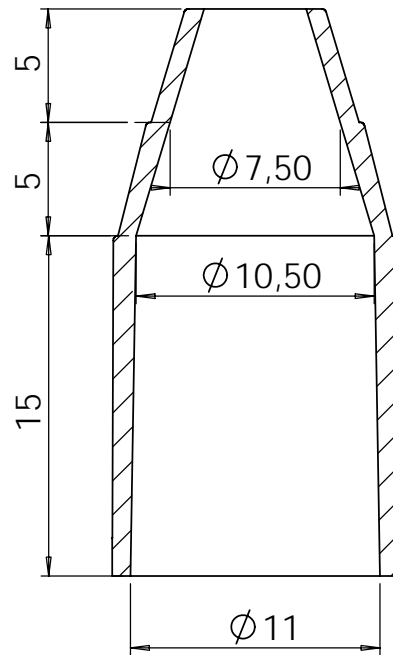
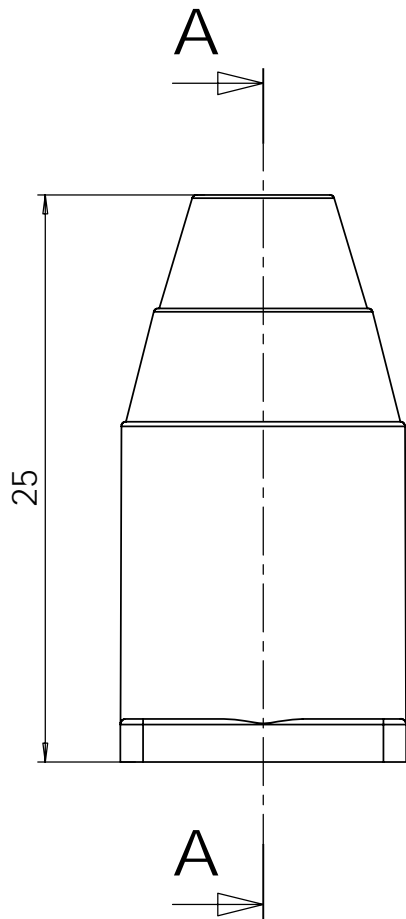
SECTION A-A



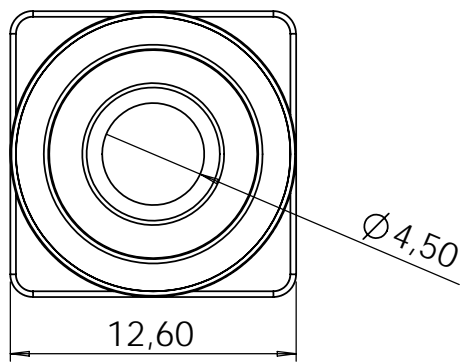
THIS DRAWING MUST NOT BE COPIED WITHOUT OUR PERMISSION, IMPARTED TO A THIRD PART OR OTHERWISE USED WITHOUT AUTHORIZATION. CONTRAVENTION WILL BE PROSECUTED

Rev./Date.
B / 03.11.05
C / 03.09.09
.
.
.
.

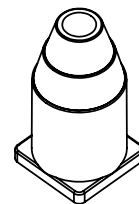
Pos.	Qty.	Partnumber	Description	Material			
		DMZK9-D2	Size 9 Universal strain relief	TPU			
			DMZK9-D2 (Universal) 	Weight: 1			
				Scale: 3:1			
		Rev. C	Sign. RK	Appr.:	Format: A4	Date: 05.07.05	draw.nr: 21418



SECTION A-A



(1:1)



Pos.	Qty.	Partnumber	Description	Material
		DMZK15-D2	Strain relief	Evopreen
 <p>THIS DRAWING MUST NOT BE COPIED WITHOUT OUR PERMISSION, IMPARTED TO A THIRD PART OR OTHERWISE USED WITHOUT AUTHORIZATION. CONTRAVENTION WILL BE PROSECUTED</p>	Rev./Date.	 <p>Postbox 125 DK-4930 Maribo Danmark Tlf: 54782888 / Fax: 54783340</p>	<p>DMZK15-D2 Relief</p> 	Weight: 1
	B / 20.10.04			Scale: 3:1
	C / 03.11.04			Date: 14.10.04
	.			draw.nr: 21402
	.			
Rev.	Sign.	Appr.:	Format:	
C	RK		A4	