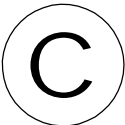


ITEM NO.	QTY.	PART NO.	DESCRIPTION
1	1	DPPK9-2-D1	Cover bottom
2	1	DPPK9-2-D2	Cover top
3	2	D-JS-D5	Jackscrew
4	1	DPPK25-2-D4	Relief



THIS DRAWING MUST NOT BE COPIED WITHOUT OUR PERMISSION, IMPARTED TO A THIRD PART OR OTHERWISE USED WITHOUT AUTHORISATION. CONTRAVENTION WILL BE PROSECUTED

OSSI
CONNECTORS

Postbox 125
DK-4930 Maribo
Danmark
Tlf: 54782888 / Fax: 54783340

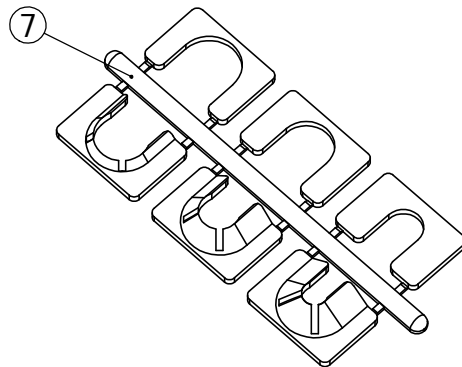
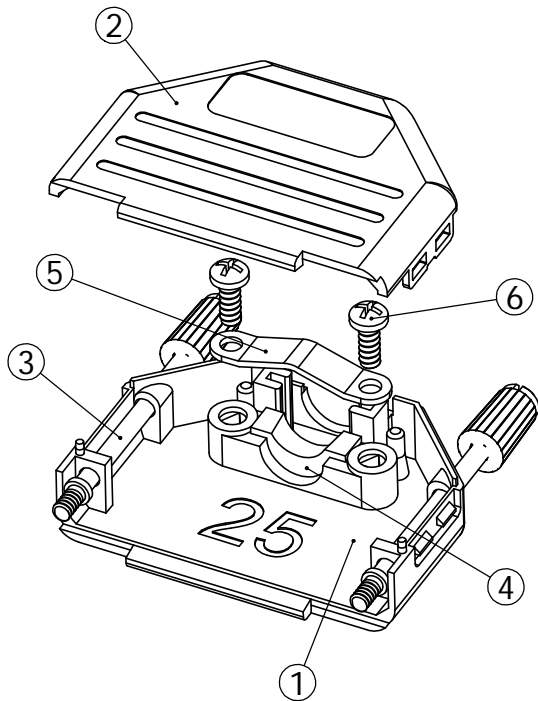
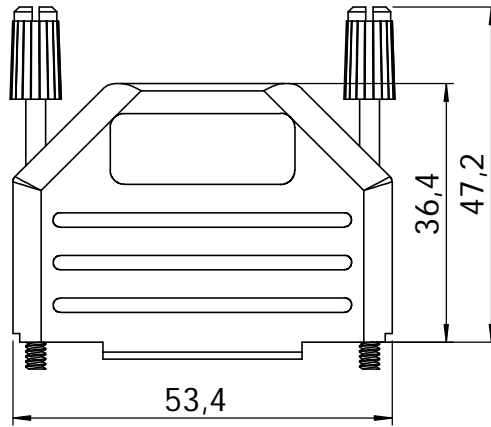
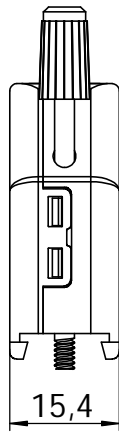
DPPK9-2

Tegn.nr: 41208

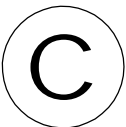
Date: 18.06.02

Rev.: A

Sign.: RK



ITEM NO.	QTY.	PART NO.	DESCRIPTION
1	1	DPPK25-2-D1	Cover bottom
2	1	DPPK25-2-D2	Cover top
3	2	D-JS-D5	Jackscrew
4	1	DPPK15-D2	Grommet
5	1	DPPK15-D5B	Cable clamp
6	2	PT 3x8	Screw
7	1	DPPK25-2-D4	Relief



THIS DRAWING MUST NOT BE COPIED WITHOUT OUR PERMISSION, IMPARTED TO A THIRD PART OR OTHERWISE USED WITHOUT AUTHORISATION. CONTRAVENTION WILL BE PROSECUTED

OSSI
CONNECTORS

Postbox 125
DK-4930 Maribo
Danmark
Tlf: 54782888 / Fax: 54783340

DPPK25-2

Tegn.nr: 41207

Date: 18.06.02

Rev.: A

Sign.: RK