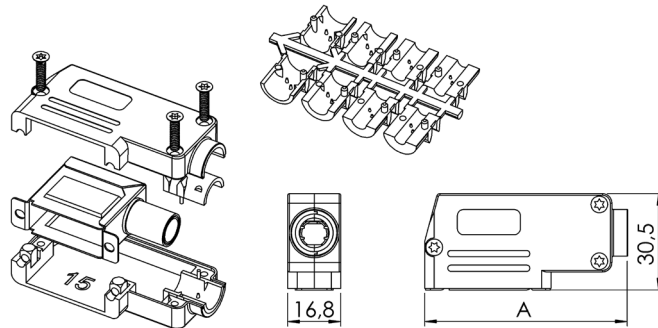


# Shielded D-Sub Backshells DSK-SL Series

## TECHNICAL SPECIFICATIONS

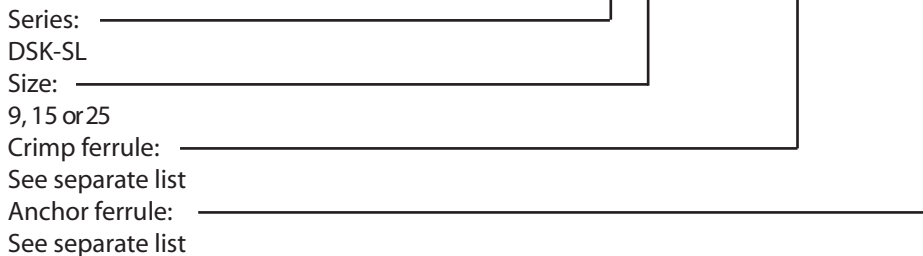
Material insulator:	Polycarbonate UL94 V0
Material shielding:	Zi-plated steel
Temp. range:	-40°C - 105°C
Cable strain relief:	Crimp ferrule with cable ferrule
Cable diameter:	3.0 - 13.0 mm
Locking screws:	Integrated UNC 4-40 threads for slidelock or panel assembly
Cable outlet:	Side
Attenuation factor:	> 40 dB between 30 MHz and 1 GHz



TYPE	A
DSK9-SL	56.3
DSK15-SL	64.3
DSK25-SL	78.3

## PART NUMBERING SYSTEM

DSK9 - SL - R10.6 - SR9.0/8.1- K



## FEATURES

- Available in sizes 9, 15 and 25-way
- Crimped cable retention guarantee 360° shielding
- Accept round foil and braided cable types
- Company logotype available upon request
- Approved according VDE 0871, FCC 20780, IEEE 802.3 and 89/336/EU
- Integrated UNC 4-40 threads for slidelock or panel assembly
- For custom designed solutions, please consult factory