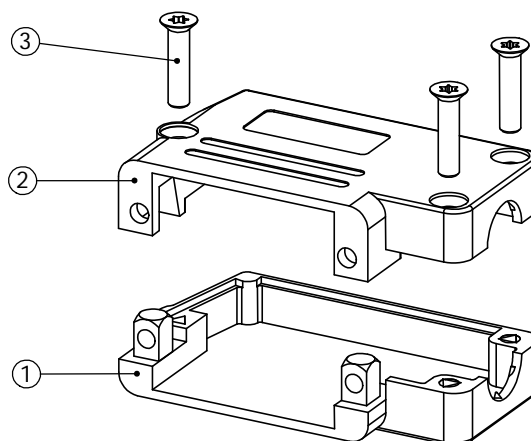
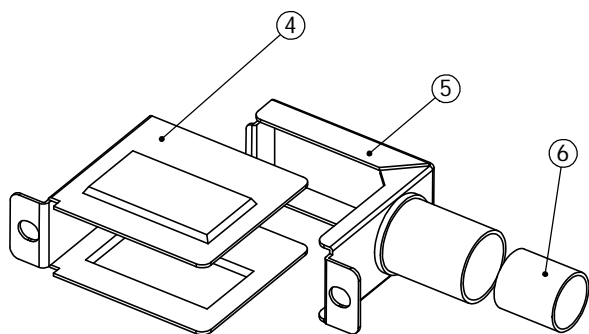
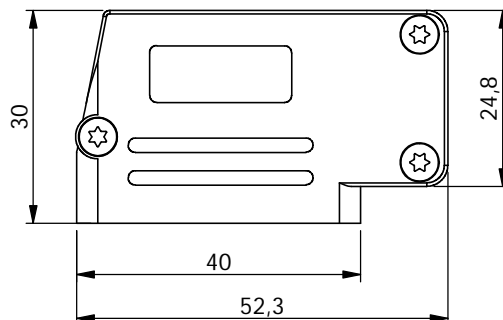
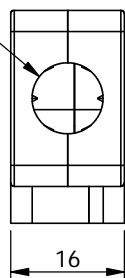


Var-6 (6 - 7,7 mm)  
 Var-8 (7,8 - 9,5 mm)  
 Var-10 (10 - 11,2 mm)



ITEM NO.	QTY.	PART NO.	DESCRIPTION
1	1	DSPK15-SL-D1	Cover bottom
2	1	DSPK15-SL-D2	Cover top
3	3	FXK-2,9x13	Screw
4	1	DSK15-SVEP	Svep
5	1	DSK15-OVER(size)	Overfall
6	1	See ferrule list	Ferrule

**OSSI**  
 CONNECTORS

Postbox 125  
 DK-4930 Maribo  
 Danmark  
 Tlf: 54782888 / Fax: 54783340

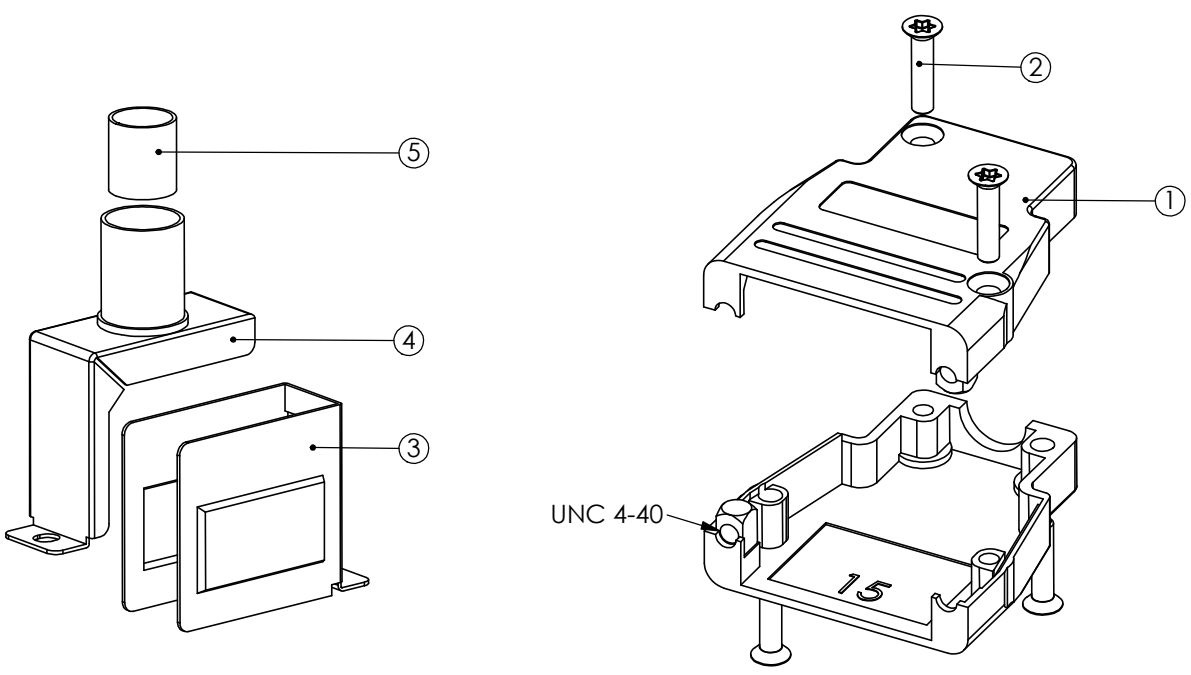
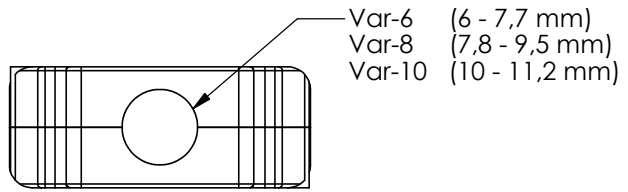
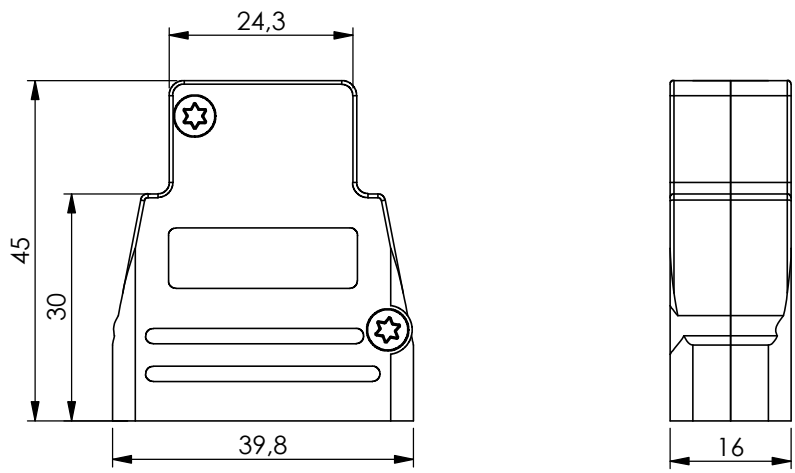
DSK15-SL

Tegn.nr: 41138

Date: 06.11.03

Rev.: C

Sign.: RK



ITEM NO.	QTY.	PART NO.	DESCRIPTION
1	2	DTPK15-SL-D1	Plastic cover
2	4	FXK-2,9x13	Assembly screw
3	1	DTK15 – SVEP	Svep
4	1	DTK15 – OVERFALL	Overfall
5	1	See ferrule list	Crimp ferrule

**OSSI**  
CONNECTORS

Postbox 125  
DK-4930 Maribo  
Danmark  
Tlf: 54782888 / Fax: 54783340

DTK15-SL

Tegn.nr: 41139  
Date: 06.11.03  
Rev.: D  
Sign.: RK