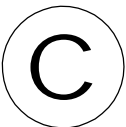
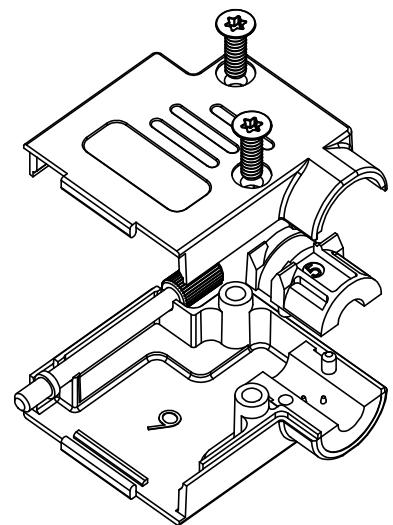
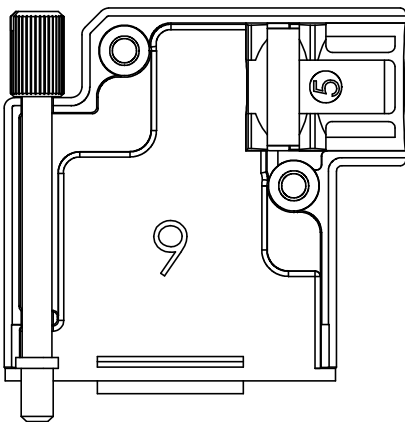


(1:1)



THIS DRAWING MUST NOT BE
COPIED WITHOUT OUR PERMIS-
SION, IMPARTED TO A THIRD
PART OR OTHERWISE USED
WITHOUT AUTHORISATION.
CONTRAVENTION WILL BE
PROSECUTED

OSSI
CONNECTORS

Postbox 125
DK-4930 Maribo
Danmark
Tlf: 54782888 / Fax: 54783340

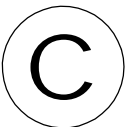
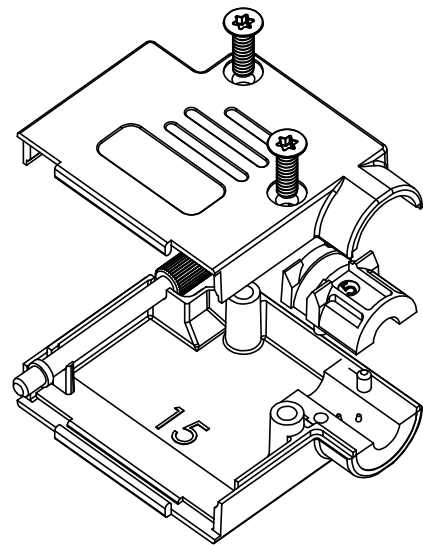
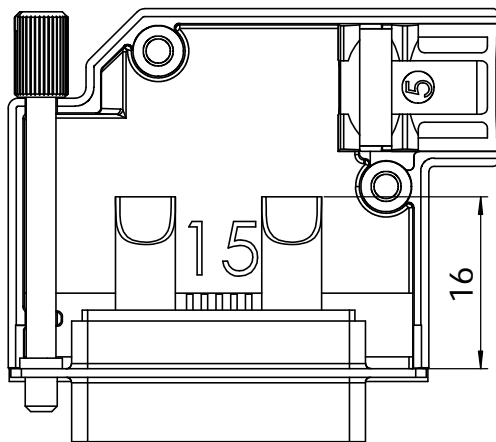
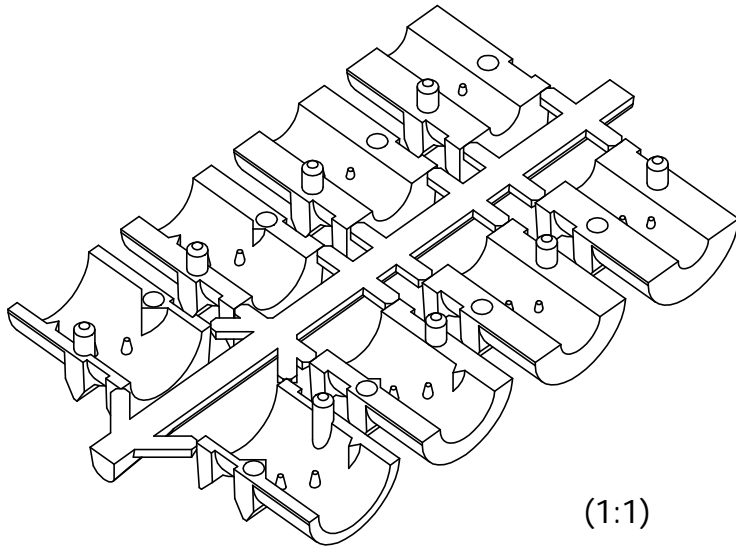
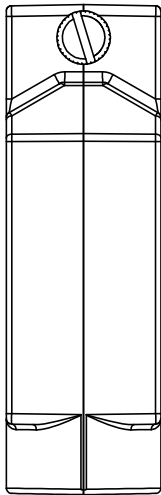
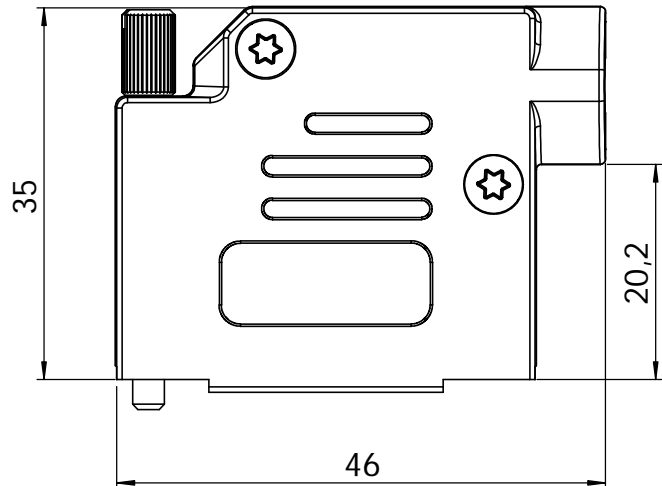
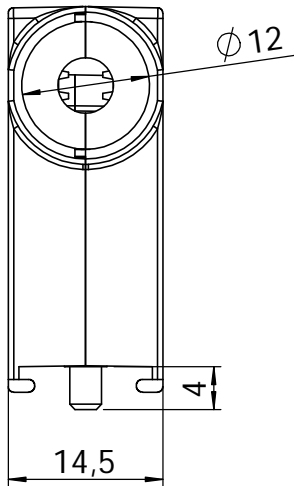
DSZK9

Tegn.nr: 11159

Date: 14.03.03

Rev.: B

Sign.: RK



THIS DRAWING MUST NOT BE
COPIED WITHOUT OUR PERMIS-
SION, IMPARTED TO A THIRD
PART OR OTHERWISE USED
WITHOUT AUTHORISATION.
CONTRAVENTION WILL BE
PROSECUTED

OSSI
CONNECTORS

Postbox 125
DK-4930 Maribo
Danmark
Tlf: 54782888 / Fax: 54783340

DSZK15

Tegn.nr: 11146

Date: 27.03.03

Rev.: G

Sign.: RK