

DTAK-BT-CY ELLIPTIC BAND TERMINATION



PART NUMBERING MATRIX

DTAK9 - BT13.0 - CY - CS



Termination bands, constant force springs and heatshrink boots are accessories. These must be ordered separately.

Table 1

SHELL SIZE	MIL SPEC SHELL SIZE REF.	A	B	C	MAX ENTRY ELLIPTICAL
9	1	46,1	31,19	12,93	16,50 X 9,50
15	2	46,1	39,52	12,93	24,70 X 9,50
25	3	46,1	53,42	12,93	34,60 X 9,50
37	4	46,1	69,76	12,93	52,70 X 9,50
50	5	46,1	67,31	15,73	50,00 X 12,00

Table 4

PLATING CODE	DESCRIPTION
EN	ELECTROLESS NICKEL, MIL-C-26074, CLASS 4, GRADE B
ZN	ZINC NICKEL BLACK, ASTM B841 CLASS 1, TYPE D OVER ELECTROLESS NICKEL
CO	CADMIUM OLIVE DRAB, AMS-QQ-P-416, TYPE II, CLASS 3 OVER ELECTROLESS NICKEL
CY	CADMIUM YELLOW, AMS-QQ-P-416, TYPE II, CLASS 3 OVER ELECTROLESS NICKEL
UN	UNPLATED CLEAN FINISH, NOT SHOT BLASTED
EP	ELECTROLESS NICKEL, HIGH PHOSPHOR, BSEN ISO 4527:2003
BS	SHOT BLASTED, NON-REFLECTIVE SURFACE

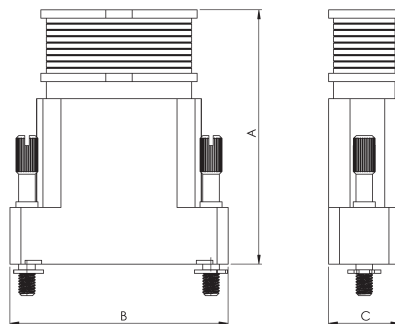
Table 2

ENTRY SIZE (ELLIPTICAL)	D	E	MAX ENTRY SIZE (ELLIPTICAL)
13,0	9,5	13,0	
16,5	9,5	16,5	9-WAY / SIZE 1
20,5	9,5	20,5	
24,7	9,5	24,7	15-WAY / SIZE 2
29,4	9,5	29,4	
34,6	9,5	34,6	25-WAY / SIZE 3
40,2	9,5	40,2	
46,2	9,5	46,2	
52,7	9,5	52,7	37-WAY / SIZE 4
50,0	12,0	50,0	50-WAY / SIZE 5

Table 3

MOUNTING HARDWARE	TYPE
-CS	SLOTTED HEAD SCREW WITH C-CLIP
-ES	SLOTTED HEAD SCREW WITH E-CLIP
-CSH	SOCKET HEAD SCREW WITH C-CLIP
-ESH	SOCKET HEAD SCREW WITH E-CLIP
-CEH	EXTENDED SLOTTED HEAD SCREW WITH C-CLIP
-EEH	EXTENDED SLOTTED HEAD SCREW WITH E-CLIP
-F	FEMALE JACKPOST FOR PANEL
-TH	THREADED HOLE, NO HARDWARE

Shell Size Table 1



Entry Size Table 2

