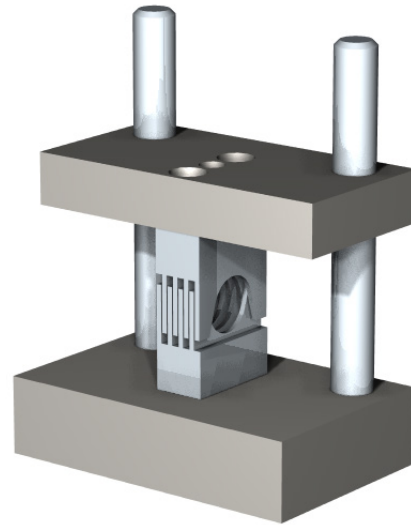


Crimp Tool DTCT-RB Series

TECHNICAL SPECIFICATIONS

Material: Hardened steel
1 kit comprise: 1 applicator and mounting plate with guiding fixture



PART NUMBERING SYSTEM

DTCT - RB - 10

Series: _____
DTCT-RB
Size: _____

DTCT-RB applicator matrix

Crimp applicator	Crimp ferrule (outer diameter)
DTCT-RB-8	5,0 - 8,0 mm
DTCT-RB-9	6,0 - 9,0 mm
DTCT-RB-10	7,0 - 10,0 mm
DTCT-RB-11	9,0 - 11,0 mm
DTCT-RB-11,7	10,0 - 12,0 mm
DTCT-RB-12,5	11,0 - 13,0 mm

FEATURES

- Crimp tool to be combined with D-Sub backshells DTK, DSK-SL, DTZK-CZA, DTZK-CZAK, DVZK-CZA and DVZK-CZAK Series
- Crimp dies are designed for assembly in manual, pneumatic or electric powered crimp machines
- For crimping with handtool, DTCT and applicators DIES are available

