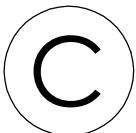


ITEM NO.	QTY.	PART NO.	DESCRIPTION
1	2	DTPMK09-D1	Cover half
2	2	D-JS	Jack screw
3	2	UHPX-3x13	Screw – Philips
4	1	DVZK-D1	Strain relief



THIS DRAWING MUST NOT BE COPIED WITHOUT OUR PERMISSION, IMPARTED TO A THIRD PARTY OR OTHERWISE USED WITHOUT AUTHORISATION. CONTRAVENTION WILL BE PROSECUTED

OSSI
CONNECTORS

Postbox 125
DK-4930 Maribo
Denmark
Tlf: 54782888 / Fax: 54783340

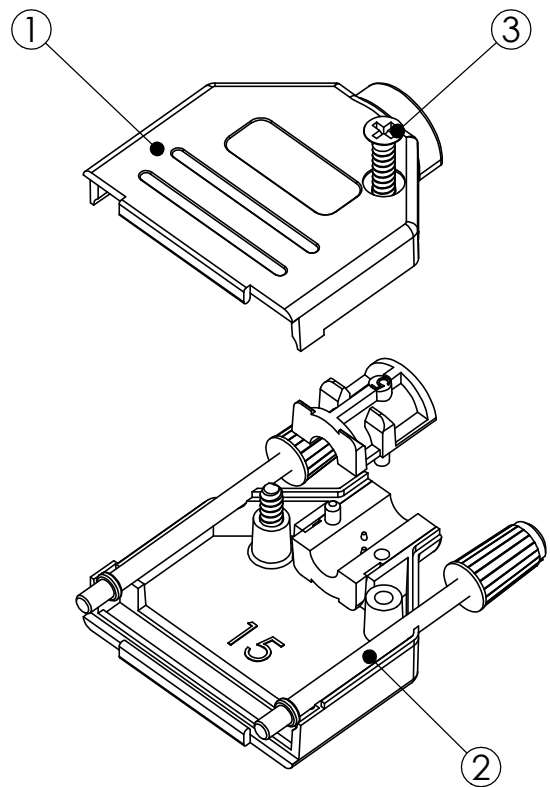
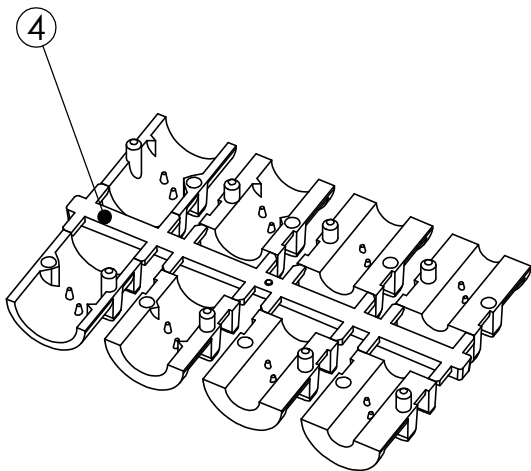
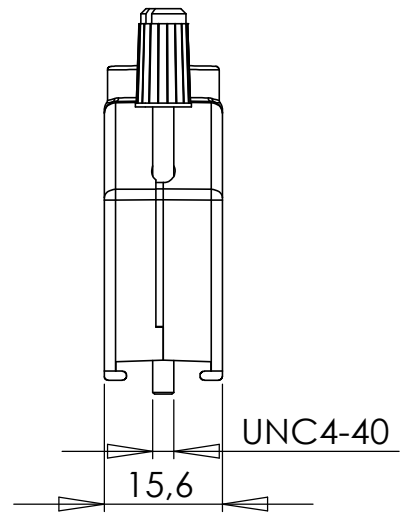
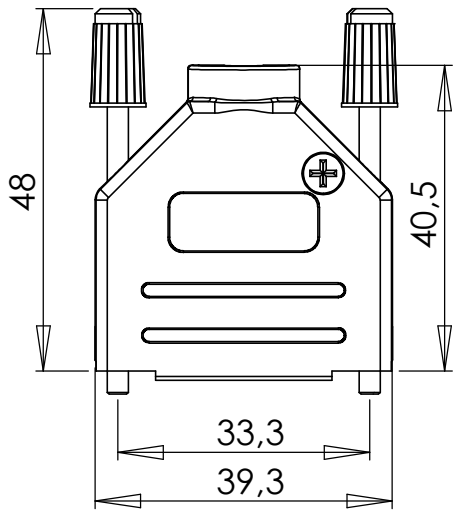
DTPMK9

Draw.nr: 41351-1

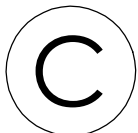
Date: 22.08.11

Rev.: A

Sign.: RK



ITEM NO.	QTY.	PART NO.	DESCRIPTION
1	2	DTPMK15-D1	Cover half
2	2	D-JS	Jack screw
3	2	UHPX-3x13	Screw – Philips
4	1	DVZK-D1	Strain relief



THIS DRAWING MUST NOT BE COPIED WITHOUT OUR PERMISSION, IMPARTED TO A THIRD PART OR OTHERWISE USED WITHOUT AUTHORISATION. CONTRAVENTION WILL BE PROSECUTED

OSSI
CONNECTORS

Postbox 125
DK-4930 Maribo
Denmark
Tlf: 54782888 / Fax: 54783340

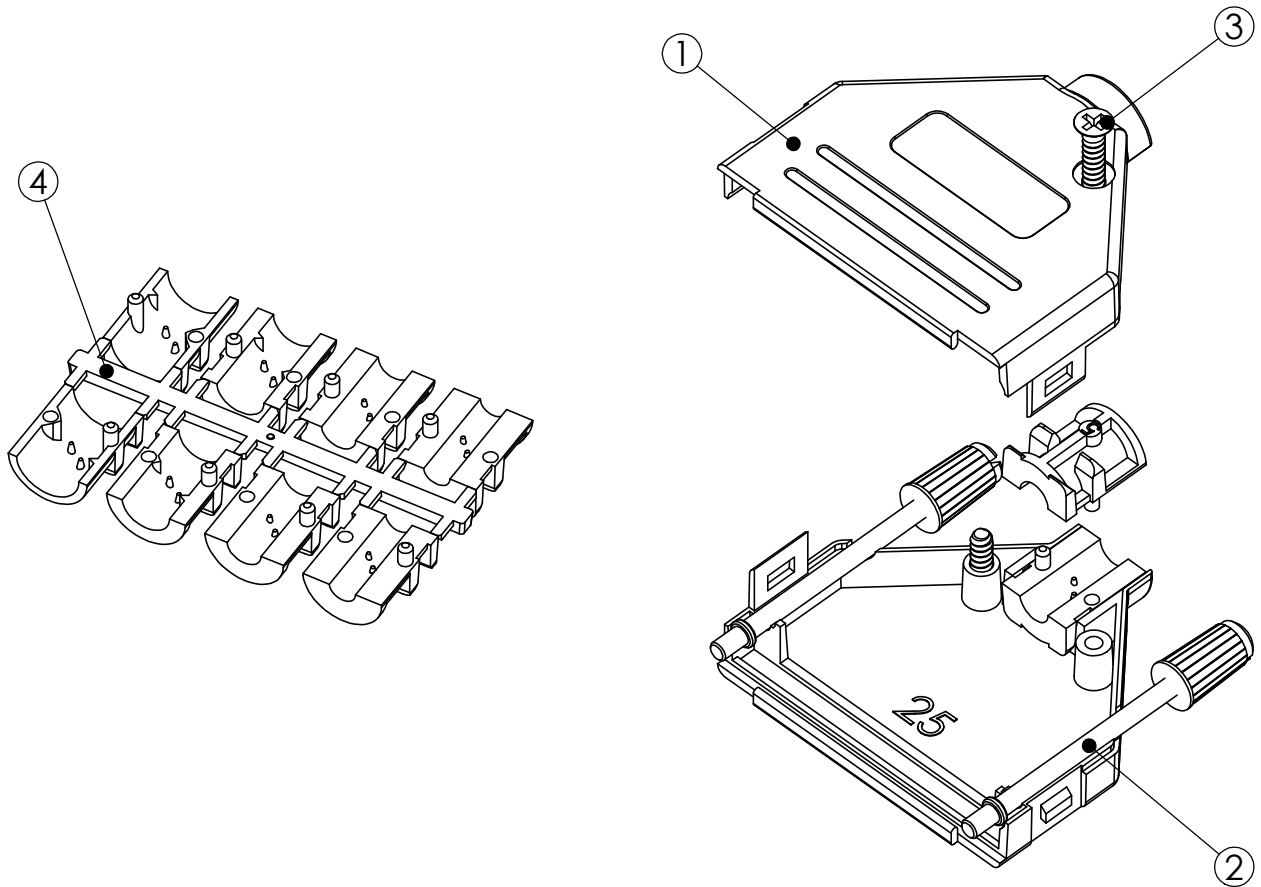
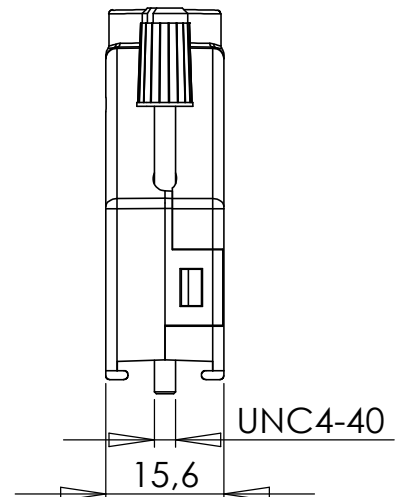
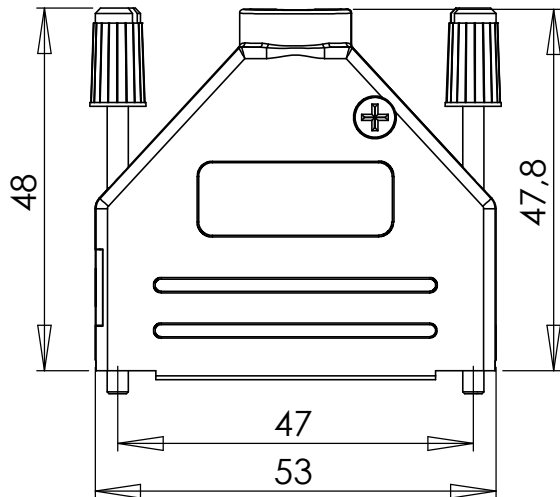
DTPMK15

Draw.nr: 41351-2

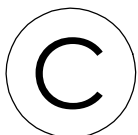
Date: 22.08.11

Rev.: A

Sign.: RK



ITEM NO.	QTY.	PART NO.	DESCRIPTION
1	2	DTPMK25-D1	Cover half
2	2	D-JS	Jack screw
3	2	UHPX-3x13	Screw – Philips
4	1	DVZK-D1	Strain relief



THIS DRAWING MUST NOT BE COPIED WITHOUT OUR PERMISSION, IMPARTED TO A THIRD PART OR OTHERWISE USED WITHOUT AUTHORISATION. CONTRAVENTION WILL BE PROSECUTED

OSSI
CONNECTORS

Postbox 125
DK-4930 Maribo
Denmark
Tlf: 54782888 / Fax: 54783340

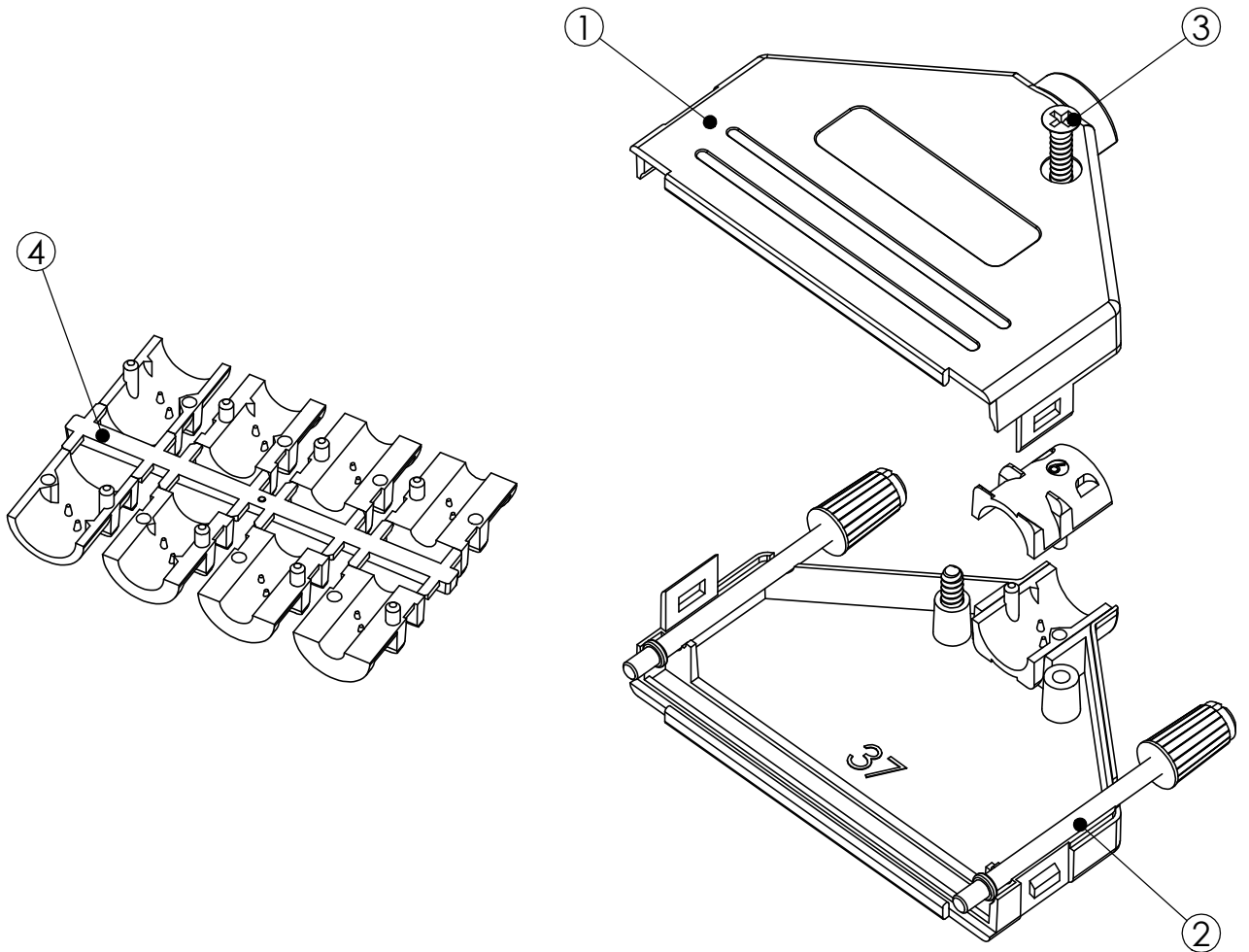
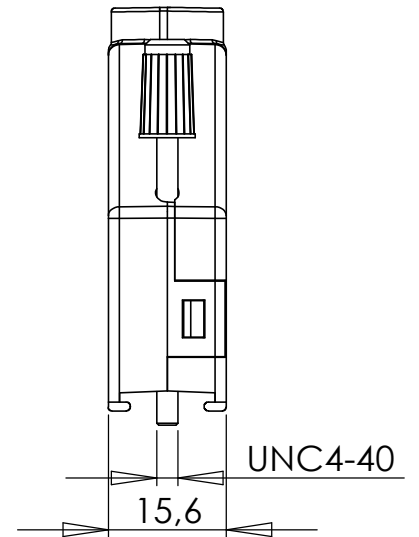
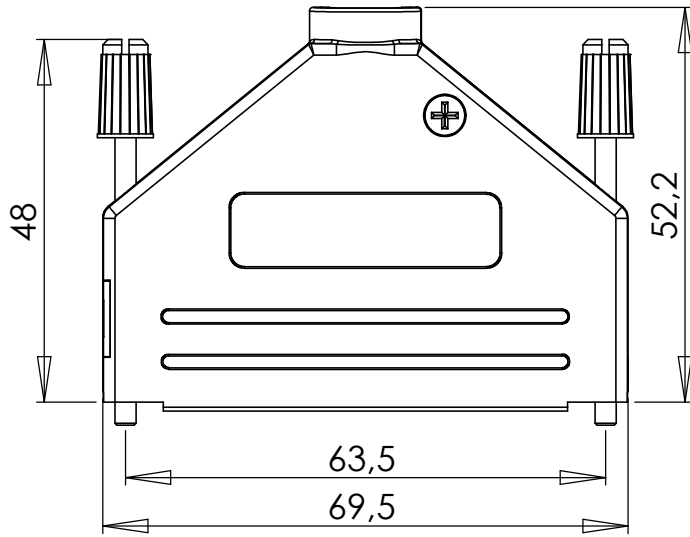
DTPMK25

Draw.nr: 41351-3

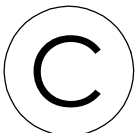
Date: 22.08.11

Rev.: A

Sign.: RK



ITEM NO.	QTY.	PART NO.	DESCRIPTION
1	2	DTPMK37-D1	Cover half
2	2	D-JS	Jack screw
3	2	UHPX-3x13	Screw – Philips
4	1	DVZK-D1	Strain relief



THIS DRAWING MUST NOT BE COPIED WITHOUT OUR PERMISSION, IMPARTED TO A THIRD PART OR OTHERWISE USED WITHOUT AUTHORISATION. CONTRAVENTION WILL BE PROSECUTED

OSSI
CONNECTORS

Postbox 125
DK-4930 Maribo
Denmark
Tlf: 54782888 / Fax: 54783340

DTPMK37

Draw.nr: 41351-4

Date: 22.08.11

Rev.: A

Sign.: RK