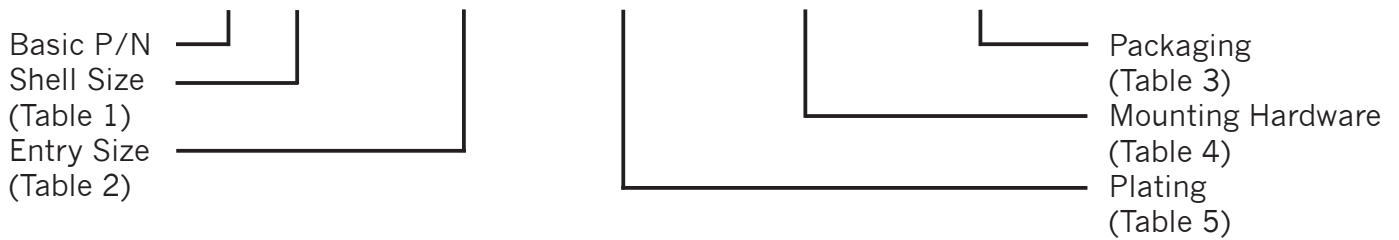


DTZK-BT-ZNB 180° BAND TERMINATION



PART NUMBERING MATRIX

DTZK9 - BT6.86 - ZNB - UNC4-40 - K



Termination bands, constant force springs and heatshrink boots are accessories. These must be ordered separately.

Table 1

SHELL SIZE	MIL SPEC SHELL SIZE REF.	A	B	C
9	1	31	54,4	14,6
15	2	39,5	56,6	14,6
25	3	53,2	63,4	14,6
37	4	70,9	68,3	14,6
50	5	67,3	68,2	17,4

Table 2

ENTRY SIZE	Di	Dy
3,18	3,18	7,20
4,75	4,75	7,20
6,86	6,86	9,30
7,37	7,37	9,79
7,92	7,92	10,30
10,03	10,03	11,03
11,00	11,00	12,00

Table 3

PACKAGING	P/N-K
1 PC	KIT PACKAGED

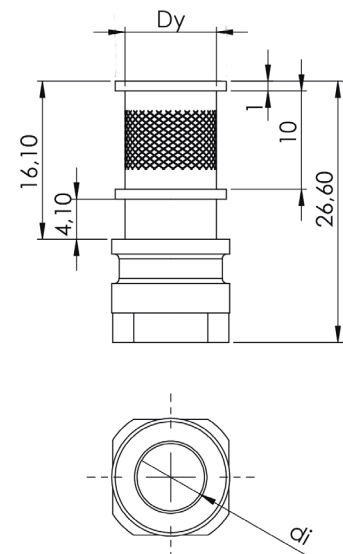
Table 4

MOUNTING HARDWARE	THREAD
LOCKING SCREW	UNC4-40

Table 5

CODE	PLATING
ENP	ELECTROLESS NICKEL
ZNB	ZINC NICKEL BLACK
COD	CADMIUM OLIVE DRAB

Entry Size Table 2



Backshell Size Table 1

