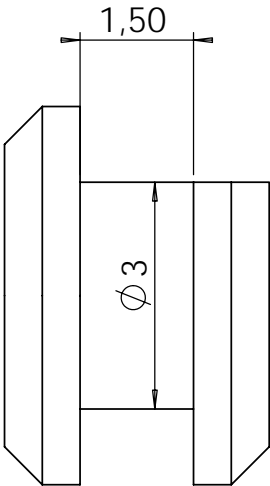
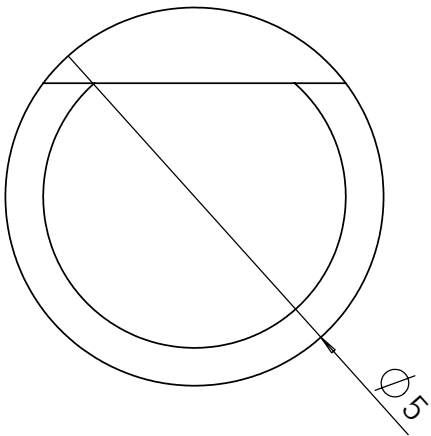
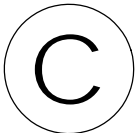
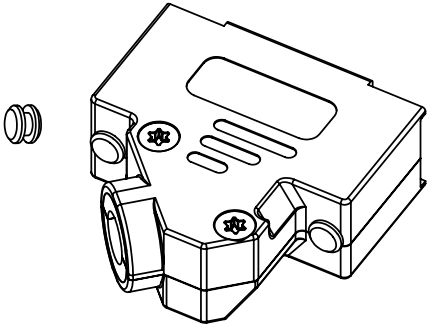
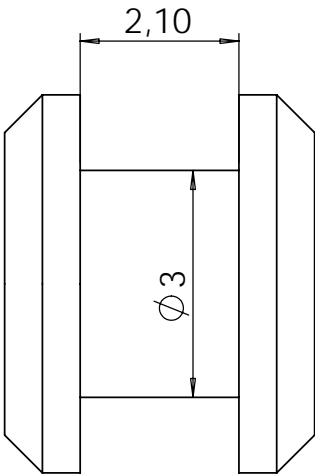
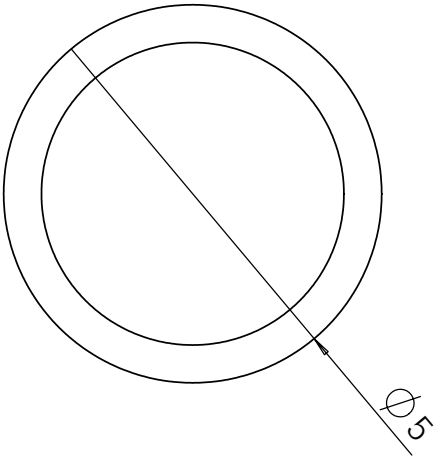


DTZK-D6



DTZK-D7



THIS DRAWING MUST NOT BE COPIED WITHOUT OUR PERMISSION. IMPARTED TO A THIRD PART OR OTHERWISE USED WITHOUT AUTHORISATION. CONTRAVENTION WILL BE PROSECUTED

OSSI
CONNECTORS

Postbox 125
DK-4930 Maribo
Danmark

Tlf: 54782888 / Fax: 54783340

DTZK-D6(D7)

Tegn.nr: 41238

Date: 11.02.04

Rev.: A

Sign.: RK