

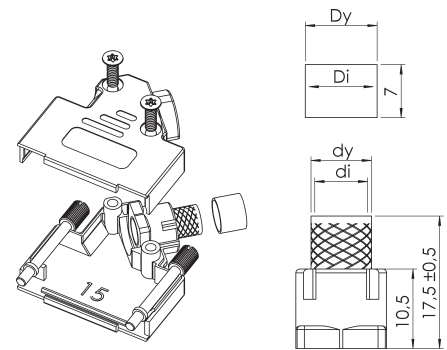
Shielded D-Sub Backshells DVZK-CZA Series

TECHNICAL SPECIFICATIONS

Material:	Zinc, Ni-plated
Temp. range:	-40°C - 120°C
Cable strain relief:	Outer crimp ferrule with separate inner cable ferrule
Cable diameter:	4.0 - 12.0 mm
Locking screws:	Long jackscrews with moulded top for colour coding
Assembly screws:	Taptite thread forming
Cable outlet:	45°
Attenuation factor:	> 40 dB between 30 MHz and 1 GHz



CABLE FERRULE			CRIMP FERRULE		
Part Number	di (mm)	dy (mm)	Part Number	Di (mm)	Dy (mm)
CZA-2.6-D5	2.6	3.6	CZA-CF-4.5	4.5	5.5
CZA-3-D5	3	4	CZA-CF-5	5	6
CZA-3.25-D5	3.25	4.25	CZA-CF-5.5	5.5	6.5
CZA-3.5-D5	3.5	4.5	CZA-CF-6	6	7
CZA-3.75-D5	3.75	4.75	CZA-CF-6.5	6.5	7.5
CZA-4-D5	4	5	CZA-CF-7	7	8
CZA-4.5-D5	4.5	5.5	CZA-CF-7.5	7.5	8.5
CZA-5-D5	5	6	CZA-CF-8	8	9
CZA-5.5-D5	5.5	6.5	CZA-CF-8.5	8.5	9.5
CZA-6-D5	6	7	CZA-CF-9	9	10
CZA-6.5	6.5	7.5	CZA-CF-9.5	9.5	10.5
CZA-7-D5	7	8	CZA-CF-10	10	11
CZA-7.5-D5	7.5	8.5	CZA-CF-10.5	10.5	11.5
CZA-8-D5	8	9	CZA-CF-11	11	12
CZA-8.5-D5	8.5	9.5	CZA-CF-11.5	11.5	12.5
CZA-9-D5	9	10	CZA-CF-12	12	13
CZA-9.5-D5	9.5	10.0	CZA-CF-12.5	12.5	13.5
			CZA-CF-13	13	14
			CZA-CF-13.5	13.5	14.5
			CZA-CF-14	14	15



PART NUMBERING SYSTEM

DVZK15 - CZA4-CF7 - - K

Series: _____
 DVZK-CZA
 Size: _____
 9, 15, 25, 37 or 50
 Cable ferrule: _____
 Measure outer cable diameter and diameter of braid to combine cable - and crimp ferrule

Packaging:
 K = Kit package
 BULK = Bulk package / 100 pcs
 Thread (jackscrew):
 Omit = UNC4-40
 M2.5
 M2.6
 M3.0

FEATURES

- Available in sizes 9, 15, 25, 37 and 50
- Minimise interference from electromagnetic and RF sources
- Meets VDE 0871, FCC 20780 and 89/336/EEC
- Non-static parts avoid ESD problems
- Accept round foil and braided cable types
- Printed logotype available upon request
- Long jackscrews with UNC 4-40 thread as standard, M2.5, M2.6 or M3.0 as option
- For custom designed solutions, please consult factory