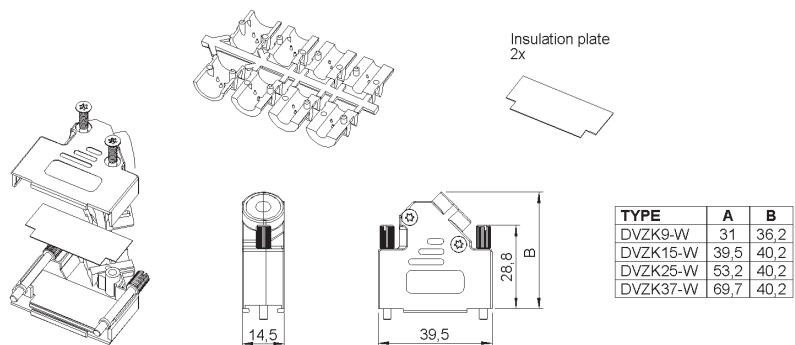
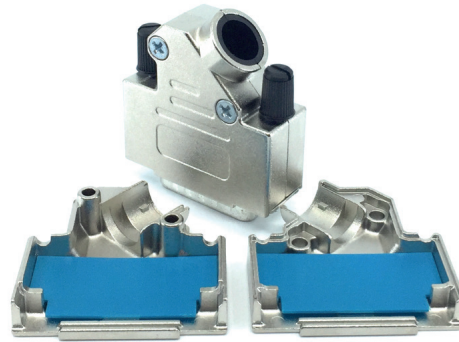


# Shielded D-Sub Backshells DVZK-W Series

## TECHNICAL SPECIFICATIONS

Material:	Zinc, Ni-plated
Temp. range:	-40°C - 120°C
Cable strain relief:	Polycarbonate PC UL94 V0
Cable diameter:	3.0 - 13.0 mm
Locking screws:	Long jackscrews with groove for indication of thread
Assembly screws:	Taptite thread forming
Cable outlet:	Angled
Attenuation factor:	> 40 dB between 30 MHz and 1 GHz



## PART NUMBERING SYSTEM

DVZK15 - W - - BULK

Series: \_\_\_\_\_  
DVZK-W  
Size: \_\_\_\_\_  
9, 15, 25, 37 and 50

Packaging:  
K = Kit package  
BULK = Bulk package / 100 pcs  
Thread (jackscrew):  
Omit = UNC4-40  
M2.5  
M2.6  
M3.0

## FEATURES

- Available in sizes 9, 15, 25, 37 and 50
- Insulation plates integrated ideal for applications with screw termination connectors
- Non-static parts avoid ESD problems
- Accept round foil and braided cable types
- Approved according VDE 0871, FCC 20780 and 89/336/EU
- Company logotype available upon request
- Long jackscrews with UNC 4-40 thread as standard, M2.5, M2.6 or M3.0 as option
- For custom designed solutions, please consult factory