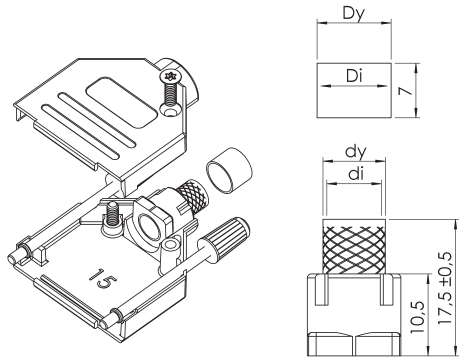


Ferrule versions for DTK and DTK/DSK-SL Series

Cable outer diameter	Crimp applicators	Part number	Cable	Assembly
6,0 mm	7,0	-4,0	Braided screen	Standard
6,0 mm (thin braid)	7,0	-4,5	Braided screen	Standard
7,0 mm	8,0	-5,0	Braided screen	Standard
7,0 mm (thin braid)	8,0	-5,5	Braided screen	Standard
8,0 mm	9,0	-6,0	Braided screen	Standard
8,0 mm (thin braid)	9,0	-6,5	Braided screen	Standard
10,2 mm	11,6	-7,0	Braided screen	Standard
10,5 mm	12,0	-7,4	Braided screen	Standard
11,2 mm	12,0	-8,0	Braided screen	Standard
11,2 mm (thin braid)	12,5	-9,0	Braided screen	Standard
12,0 mm	13,0	-10,0	Braided screen	Standard
5,2 mm	6,5	-R 5,3	Braided screen	Reversed
7,5 mm	8,0	-R 7,5	Braided screen	Reversed
8,0 mm	9,0	-R 8,1	Braided screen	Reversed
9,0 mm	10,0	-R 9,0	Braided screen	Reversed
9,8 mm	11,0	-R 9,9	Braided screen	Reversed
10,5 mm	11,6	-R 10,6	Braided screen	Reversed
11,0 mm	12,0	-R 11,0	Braided screen	Reversed
11,7 mm	12,5	-R 11,7	Braided screen	Reversed
4,0 - 8,6 mm	FCT	-F 8,6	Foil screen	Foil
7,0 mm	<i>not applicable</i>	-F 7N	Foil screen	Foil
3,0 - 5,0 mm (flat cable)	<i>not applicable</i>	-F TEL	Foil screen	Foil

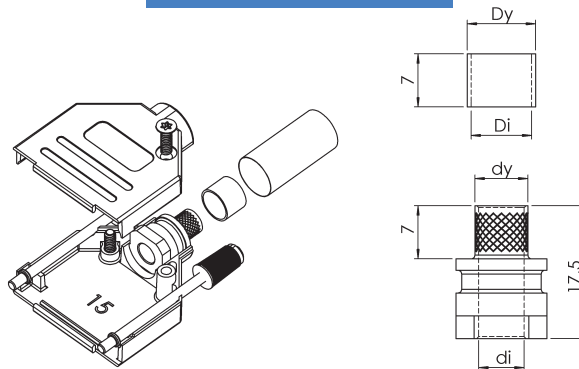
Ferrule versions for CZA and CZAK Series

CZA



CABLE FERRULE			CRIMP FERRULE		
Part Number	di (mm)	dy (mm)	Part Number	Di (mm)	Dy (mm)
CZA-2.6-D5	2.6	3.6	CZA-CF-4.5	4.5	5.5
CZA-3-D5	3	4	CZA-CF-5	5	6
CZA-3.25-D5	3.25	4.25	CZA-CF-5.5	5.5	6.5
CZA-3.5-D5	3.5	4.5	CZA-CF-6	6	7
CZA-3.75-D5	3.75	4.75	CZA-CF-6.5	6.5	7.5
CZA-4-D5	4	5	CZA-CF-7	7	8
CZA-4.5-D5	4.5	5.5	CZA-CF-7.5	7.5	8.5
CZA-5-D5	5	6	CZA-CF-8	8	9
CZA-5.5-D5	5.5	6.5	CZA-CF-8.5	8.5	9.5
CZA-6-D5	6	7	CZA-CF-9	9	10
CZA-6.5	6.5	7.5	CZA-CF-9.5	9.5	10.5
CZA-7-D5	7	8	CZA-CF-10	10	11
CZA-7.5-D5	7.5	8.5	CZA-CF-10.5	10.5	11.5
CZA-8-D5	8	9	CZA-CF-11	11	12
CZA-8.5-D5	8.5	9.5	CZA-CF-11.5	11.5	12.5
CZA-9-D5	9	10	CZA-CF-12	12	13
CZA-9.5-D5	9.5	10.0	CZA-CF-12.5	12.5	13.5
			CZA-CF-13	13	14
			CZA-CF-13.5	13.5	14.5
			CZA-CF-14	14	15

CZAK



CABLE FERRULE			CRIMP FERRULE			HEAT SHRINK SLEEVE
Part Number	di (mm)	dy (mm)	Part Number	Di (mm)	Dy (mm)	
CZA-2.6-D5	2.6	3.6	CZA-CF-4.5	4.5	5.5	CZA-D1-9
CZA-3-D5	3	4	CZA-CF-5	5	6	CZA-D1-9
CZA-3.25-D5	3.25	4.25	CZA-CF-5.5	5.5	6.5	CZA-D1-9
CZA-3.5-D5	3.5	4.5	CZA-CF-6	6	7	CZA-D1-9
CZA-3.75-D5	3.75	4.75	CZA-CF-6.5	6.5	7.5	CZA-D1-9
CZA-4-D5	4	5	CZA-CF-7	7	8	CZA-D1-13
CZA-4.5-D5	4.5	5.5	CZA-CF-7.5	7.5	8.5	CZA-D1-13
CZA-5-D5	5	6	CZA-CF-8	8	9	CZA-D1-13
CZA-5.5-D5	5.5	6.5	CZA-CF-8.5	8.5	9.5	CZA-D1-13
CZA-6-D5	6	7	CZA-CF-9	9	10	CZA-D1-13
CZA-6.5	6.5	7.5	CZA-CF-9.5	9.5	10.5	CZA-D1-13
CZA-7-D5	7	8	CZA-CF-10	10	11	CZA-D1-13
CZA-7.5-D5	7.5	8.5	CZA-CF-10.5	10.5	11.5	CZA-D1-13
CZA-8-D5	8	9	CZA-CF-11	11	12	CZA-D1-13
CZA-8.5-D5	8.5	9.5	CZA-CF-11.5	11.5	12.5	CZA-D1-19
CZA-9-D5	9	10	CZA-CF-12	12	13	CZA-D1-19
CZA-9.5-D5	9.5	10.0	CZA-CF-12.5	12.5	13.5	CZA-D1-19
			CZA-CF-13	13	14	CZA-D1-19
			CZA-CF-13.5	13.5	14.5	CZA-D1-19
			CZA-CF-14	14	15	CZA-D1-19