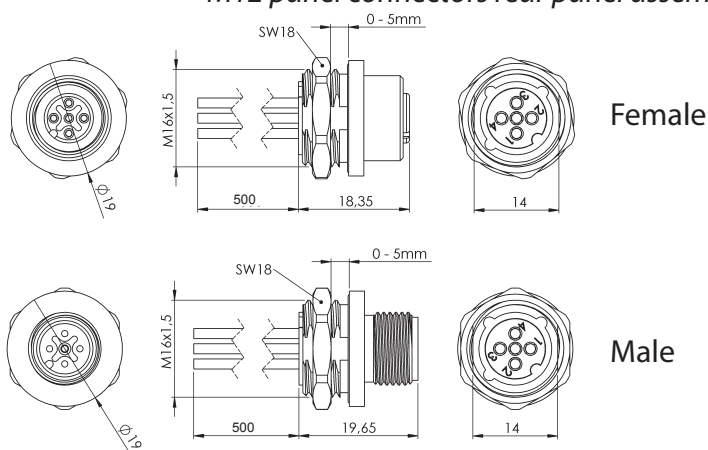
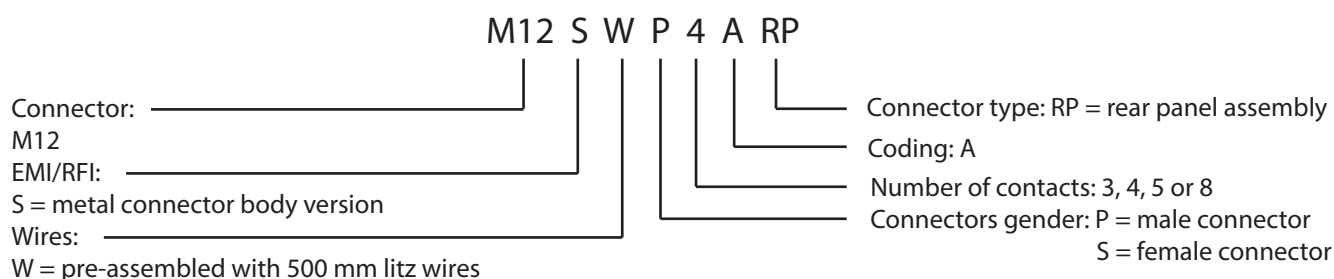


Circular M12 Connectors M12SWRP Series

M12 panel connectors rear panel assembly with litz wires



PART NUMBERING SYSTEM



TECHNICAL SPECIFICATIONS

General values

Connector design	Panel connector
Locking system	M12 x 1
Wires	500 mm length
Conductor cross section	0,34 mm ² (3 - 5 contacts) 0,25 mm ² (8 contacts)
Panel thickness	≤ 4 mm
Temp. range	-25°C to 85°C IEC 60664-1
IP rating	IP67 IEC 60529
Mounting torque	60 Ncm

Electrical values

Rated voltage	50 V	(3 - 4 contacts)
IEC 61076-2-101	50 V	(5 contacts)
	30 V	(8 contacts)
Rated current	4 A	(3 - 4 contacts)
IEC 61076-2-101	4 A	(5 contacts)
	2 A	(8 contacts)
Volume resistance	≤ 8mΩ	
Mating cycles	> 100	IEC 60512-9A
Pollution degree	3	IEC 60664-1

Material

Material of contact	CuZn, Brass alloy
Contact plating	Au-plated, Au over Ni
Contact body material	PA, Polyamide
Housing material	CuZn, Brass alloy
Plating housing	Ni-plated, Ni over Cu
O-ring	FKM